

FERGUSON[®]
Bath, Kitchen & Lighting Gallery



Showroom Selections

GJ Gardner Homes
1565, 1567, 1569 Utica - Plbg Portfolio REV 2.21

Mercy Owusua
1840 W Oxford Ave
Sheridan, CO 80110
(303) 739-8000 Ext. 8046
mercy.owusua@ferguson.com

Table of Contents

Table of Contents	2
KITCHEN	3
MASTER BATH	4
BATH 2	7
POWDER BATH	9
BATH 3	11
ROOFTOP WET BAR	13
Terms & Conditions	14

KITCHEN



Delta Faucet Pull-Out Spray Kitchen Faucet
D9159BLDST Matte Black



In-Sink-Erator Garbage Disposal
IBADGER5WC Black



In-Sink-Erator Part & Accessory
ISTS00 Chrome / White



In-Sink-Erator Part & Accessory
ISTCMTBLK Matte Black

MASTER BATH



Delta Faucet 8" Widespread Bathroom Sink Faucet
D3559BLMPUDST Matte Black
Qty: 2



Delta Faucet Shower Faucet Trim Kit
DT14259BL Matte Black



Delta Faucet Tub & Shower Rough In Valve
DR10000UNBX Rough Brass
Qty: 2



Delta Faucet Non-Thermostatic Valve Trim
DT14059BL Matte Black



Delta Faucet Slidebar Mount Hand Shower
D51579BL Matte Black



Delta Faucet Elbow
D50560BL Matte Black



Kohler Shower Drain
K9136-BL Matte Black



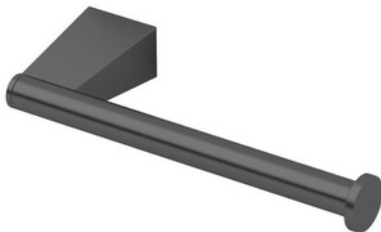
American Standard Toilet Bowl Part
A3075000020 White



American Standard Toilet Tank Part
A4000101020 White



Gatco Towel Bar
G4710MX Matte Black



Gatco Paper Holder
G4713MX Matte Black



Gatco Towel Ring
G4712MX Matte Black



Gatco Robe Hook
G4715MX Matte Black

BATH 2



Delta Faucet Single Hole Bathroom Sink Faucet
D559LFBLMPU Matte Black



Delta Faucet Shower Faucet Trim Kit
DT14259BL Matte Black



Delta Faucet Tub & Shower Rough In Valve
DR10000UNBX Rough Brass



Kohler Shower Drain
K9136-BL Matte Black



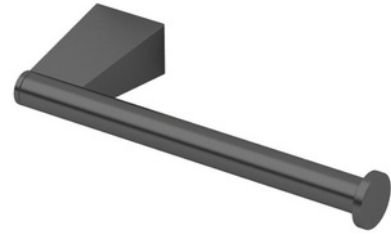
American Standard Toilet Bowl Part
A3075000020 White



American Standard Toilet Tank Part
A4000101020 White



Gatco Towel Bar
G4710MX Matte Black



Gatco Paper Holder
G4713MX Matte Black



Gatco Robe Hook
G4715MX Matte Black



Gatco Towel Ring
G4712MX Matte Black

POWDER BATH

SHV200WH



Signature Hardware Vessel Style Bathroom Sink
SHV200WH White



Delta Faucet Single Hole Bathroom Sink Faucet
D673BLDST Matte Black



Delta Faucet Lavatory Drain
DRP101632BL Matte Black



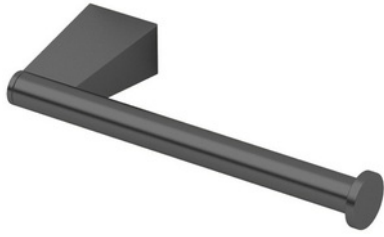
American Standard Toilet Bowl Part
A3075000020 White



American Standard Toilet Tank Part
A4000101020 White



Gatco Towel Ring
G4712MX Matte Black



Gatco Paper Holder
G4713MX Matte Black

BATH 3



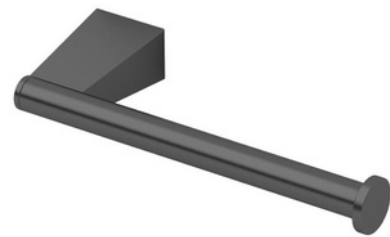
Delta Faucet Single Hole Bathroom Sink Faucet
D559LFBLMPU Matte Black



American Standard Toilet Bowl Part
A3075000020 White



American Standard Toilet Tank Part
A4000101020 White



Gatco Paper Holder
G4713MX Matte Black



Gatco Towel Ring
G4712MX Matte Black



Sterling 60" x 30" Soaking Tub
S710411100 White



Delta Faucet Tub & Shower Faucet Trim Kit
DT14459BL Matte Black



Delta Faucet Tub & Shower Rough In Valve
DR10000UNBX Rough Brass

ROOFTOP WET BAR



Delta Faucet Single Hole Bar Faucet
D9959BLDST Matte Black



PROFLO Drain Strainer
PF1435SS Stainless Steel

Terms & Conditions



FERGUSON SHOWROOM SALES TERMS & CONDITIONS

Welcome to Ferguson! We are certain that you will find the best in bath, kitchen, and lighting products, knowledgeable and friendly sales staff, and other services that will make your experience with us enjoyable. We appreciate your business and want to take the time to explain the terms and conditions associated with your purchase:

PAYMENT OPTIONS AND INFORMATION

Payment options include:

- Cash
- Ferguson Synchrony Financial Credit Card
- Personal Check
- Personal Credit Card

All orders must be paid in full at the time of order unless purchased on an established credit account. Applications for both consumer financing and credit accounts are available at all Ferguson locations.

WARRANTY INFORMATION

- Ferguson offers True Blue, an extended warranty program for major appliance purchases. Ask a product expert for details!
- All other product warranties are provided directly by the manufacturer.
- Display material is sold "as is" and may not be covered by manufacturer's warranty.
- If faced with a warranty issue, Ferguson will make reasonable efforts to assist you with your warranty claim to the manufacturer.
- Ferguson keeps your purchase information on file for 1 year from date of purchase. It is the consumer's responsibility to provide original receipt as proof of purchase for Ferguson to attempt to assist in any warranty claims beyond that date.
- Ferguson is not responsible for installation, repair, replacement or labor charges resulting from warranty claims.
- Ferguson makes no express or implied warranties. Ferguson disclaims all warranties, whether implied by operation of law or otherwise, including, without limitation, all implied warranties of merchantability of fitness or fitness for a particular purpose

SUITABILITY

Please be sure that your decision is firm regarding style, size, finish, etc. of the product(s) you are ordering by verifying that you, your installer, and the professionals you are working with are confident that it meets specifications and requirements, including local code compliance, prior to purchase. Ferguson is not responsible as to whether the product fits space requirements, matches décor, and/or whether there is sufficient access for installation or use.

COMPLETENESS

Please confirm with your contractor and/or installer that the items being quoted and subsequently ordered constitute all the related products and parts needed for your project. Although Ferguson will be pleased to provide you added items not included on the original quote, such add-ons will be billed to you separately and accordingly.

MATERIAL RETURN INFORMATION

- Material may be returned if accompanied by an invoice dated within 60 days of the purchase date. To receive credit for return material, merchandise must be in proper condition for resale in its undamaged original packaging with all original parts. Please note the following:
 - Specially fabricated, custom, clearance and/or display items may not be canceled or returned. Non-cancellable and/or non-returnable material will be denoted at time of purchase.
 - If the product has been used, installed, modified, rebuilt, reconditioned, repaired, altered or damaged, no refund will be given unless the product is proven to be defective at the time of purchase.
 - All accepted return goods must meet all local, state, and federal laws governing the type of product that can be sold or put into transit in the State that the product is being returned in.
- A refund of payment will be given for return material in the form of cash, check, or credit card – the same manner presented to Ferguson at the time of sale. Processing time for returns is up to 2 weeks after receipt of the return material.
- Sales associates cannot refund cash amounts over \$100. A check for all refunds over \$100 will be mailed to the customer within three weeks of the date of material return.

DELIVERY EXPERIENCE

- The sales associate will discuss delivery options available relative to your individual order.
- Your items will be delivered by Ferguson trucks within our delivery area from a Ferguson or third party delivery service OR direct to you from the manufacturer via parcel shipment or motor freight carrier depending on the type of material you are purchasing.
- While most of our deliveries are considered “curbside” deliveries, we will place your material in a garage or covered area provided that we can move the material over a paved surface without negotiating any stairs. Ferguson will require the assistance of the contractor on the job to move large items anywhere other than the curb. With standard delivery, Ferguson will not enter your residence or transfer your material up or down stairs.
- If you have special delivery needs, please request availability and pricing from your local branch.

FREIGHT & DELIVERY CHARGES

- Inbound freight charges will apply to all showroom invoices per the following schedule regardless of delivery type:

INVOICE SELL PRICE SUBTOTAL	FLAT RATE:
\$1 - \$99	\$9.99
\$100 - \$499	\$19.99
\$500 - \$1499	\$39.99
\$1500 & Over	Free Shipping
Next Day Air	Add \$75
2nd Day Air	Add \$40
3rd Day Air	Add \$20
Early AM	Add \$40
Saturday Delivery	Add \$10

EXCLUSIONS APPLY

- Oversized, overweight, or items requiring special handling may incur additional freight charges. This most commonly will apply to appliance purchases. If applicable, adjusted rates will be applied at the time of quotation.
- Additional outbound freight charges will be quoted when applicable to heavy or large product deliveries, out of area deliveries and other delivery circumstances.
- Shipments/deliveries to Alaska, Hawaii, any US territories and International destinations are excluded from this program. Applicable rates will be applied at time of quotation.
- Claims for damage, shortages or errors must be made within 48 hours of receipt.

INSTALLATION EXPERIENCE

If you are interested in appliance installation services, please request availability and pricing from your local branch. Your local representative will discuss options, pricing and provide any necessary additional paperwork relative to services offered in your area.

DELAYS

Ferguson will take reasonable measures to meet your desired delivery date. Ferguson assumes no liability for delivery delays no matter the cause for such delay. Under no circumstances shall Ferguson be liable for any damages, whether direct, incidental, consequential or otherwise, resulting from a delivery failure.

©2017 Ferguson Enterprises, Inc. 0217 399613



Showroom Selections

Bulldog Renovations, LLC
1565, 1567, 1569 Utica



Hinkley Lighting 1326BK-LL

Shelter Single Light 15-1/2" Tall Outdoor
Wall Sconce with Seedy Glass and LED

Qty: 2

KITCHEN PENDANTS



Elegant Lighting LD2240BK

Ashwell Single Light 5" Wide Mini Pendant
with Clear Glass

Qty: 2



Craftmade CUC3018-W-LED

18" Long Under Cabinet Light Bar - 9 W,
600 Lumens, 2700K, 3000K, 4000K

Qty: 2



Kichler 300031SBK

Kosmus 52" 3 Blade Indoor Ceiling Fan -

LED Light Kit Included

Qty: 2



Maxim 52002BK

Spec 24" Wide LED Bath Bar

Qty: 1



Maxim 52004BK

Spec 30" Wide LED Bath Bar

Qty: 3



Nuvo Lighting 62/1735

Glamour 10" Wide LED Flush Mount
Ceiling Fixture with Adjustable Color

Qty: 2



Maxim 58736WTBK

Wafer 15" Wide Disc LED Panel - 3000K -
3000 Lumens

Qty: 1

build WITH
FERGUSON



APPLIANCES

May 5th, 2023

PROJECT NAME
UTICA ST



KitchenAid KRFC300ESS

36 Inch Wide 20 Cu. Ft. Counter Depth French Door Refrigerator with Interior Water Dispenser

Qty: 1



KitchenAid KMHS120ESS

30 Inch Wide 2.0 Cu. Ft. Over-the-Range Microwave with 1000W of Cooking Power and 7 Sensor Functions

Qty: 1



KitchenAid KSDB900ESS

30 Inch Wide 7.1 Cu. Ft. Slide-In Dual Fuel Range with Baking Drawer

Qty: 1



KitchenAid KDTE204KPS

24 Inch Wide 13 Place Setting Energy Star Certified Built-In Fully Integrated Dishwasher with Third Level Utensil Rack

Qty: 1



EdgeStar CBR1502SG

24 Inch Wide 142 Can Built-In Beverage Cooler with Tinted Door and LED Lighting

Qty: 1

Specification Sheet for Product:

KitchenAid KRFC300ESS

**Stainless Steel 36 Inch Wide 20 Cu. Ft. Counter Depth French Door
Refrigerator with Interior Water Dispenser**

PRODUCT MODEL NUMBERS

KBFS20EC KBFS25EC
KBFS22EC KRFC300E
KRFF305E

Electrical: A 115-volt, 60-Hz, AC-only, 15- or 20-amp fused, grounded electrical supply is required. It is recommended that a separate circuit serving only your refrigerator be provided. Use an outlet that cannot be turned off by a switch. Do not use an extension cord.

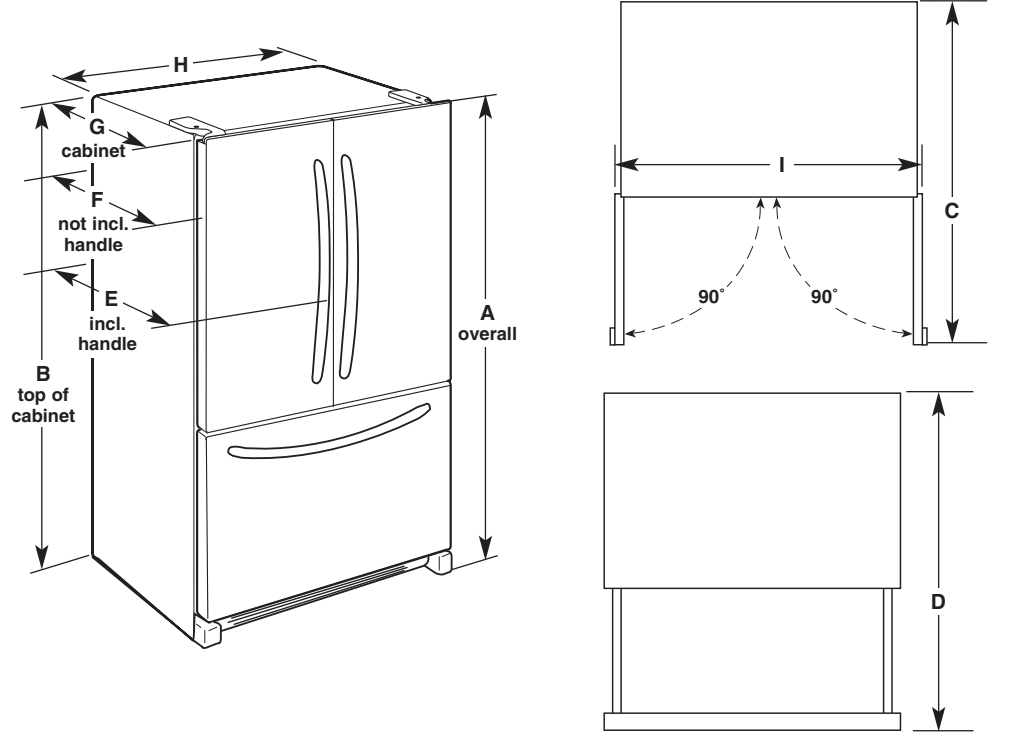
NOTE: Before performing any type of installation, cleaning, or removing a light bulb, turn the control (Thermostat, Refrigerator or Freezer Control depending on the model) to OFF and then disconnect the refrigerator from the electrical source. When you are finished, reconnect the refrigerator to the electrical source and reset the control (Thermostat, Refrigerator or Freezer Control depending on the model) to the desired setting. See "Using the Controls."

Water: A cold water supply with water pressure between 35 and 120 psi (241 and 827 kPa) is required to operate the ice maker and water dispenser. If you have questions about your water pressure, call a licensed, qualified plumber.

IMPORTANT: The pressure of the water coming out of a reverse osmosis system going to the water inlet valve of the refrigerator needs to be between 35 and 120 psi (241 and 827 kPa).

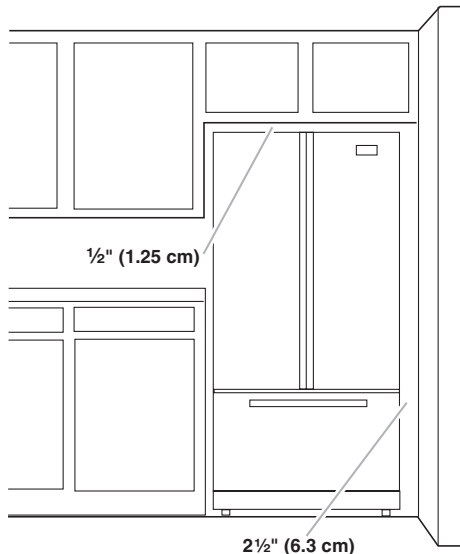
Reverse Osmosis Water Supply: If a reverse osmosis water filtration system is connected to your cold water supply, the water pressure to the reverse osmosis system needs to be a minimum of 40 to 60 psi (276 to 414 kPa).

PRODUCT DIMENSIONS



Model Number/Size	Height - Overall "A"	Height - Top of Cabinet "B"	Depth - Doors Open 90° "C"	Depth - Drawer Open "D"	Depth - With Handles "E"	Depth - Without Handles "F"	Depth - Cabinet Only "G"	Width - Cabinet "H"
KBFS20EC 20.0 cu. ft.	70 ¹ / ₈ " (178.1 cm)	68 ¹ / ₂ " (174.0 cm)	43" (109.2 cm)	44 ¹ / ₂ " (113 cm)	29 ⁹ / ₁₆ " (74.6 cm)	28" (71.1 cm)	24 ¹ / ₈ " (61.3 cm)	35 ⁵ / ₈ " (90.5 cm)
KBFS22EC (21.7 cu. ft.)	70 ¹ / ₈ " (178.1 cm)	68 ¹ / ₁₆ " (174.8 cm)	47 ¹ / ₁₆ " (119.5 cm)	52 ¹ / ₁₆ " (132.2 cm)	34 ⁷ / ₁₆ " (87.5 cm)	31 ¹⁵ / ₁₆ " (81.1 cm)	28 ¹ / ₈ " (71.4 cm)	32 ⁵ / ₈ " (82.9 cm)
KBFS25EC (24.8 cu. ft.)	70 ¹ / ₈ " (178.1 cm)	68 ¹ / ₁₆ " (174.8 cm)	48 ¹ / ₁₆ " (122.1 cm)	53 ¹ / ₈ " (135 cm)	35 ⁷ / ₁₆ " (90 cm)	32 ¹⁵ / ₁₆ " (83.7 cm)	29 ¹ / ₈ " (74 cm)	35 ⁵ / ₈ " (90.5 cm)
KRFC300E (20 cu. ft.)	70 ¹ / ₈ " (178.1 cm)	68 ⁷ / ₈ " (174.9 cm)	43 ¹ / ₈ " (109.5 cm)	48 ¹ / ₈ " (122.2 cm)	30 ¹ / ₂ " (77.5 cm)	28" (71.1 cm)	24 ¹ / ₈ " (61.3 cm)	35 ³ / ₄ " (90.8 cm)
KRFF305E (25.2 cu. ft.)	70 ¹ / ₈ " (178.1 cm)	68 ⁷ / ₈ " (174.9 cm)	48 ¹ / ₈ " (122.2 cm)	53 ¹ / ₈ " (134.9 cm)	35 ¹ / ₂ " (90.2 cm)	33" (83.8 cm)	29 ¹ / ₈ " (74 cm)	35 ⁷ / ₈ " (91.1 cm)

LOCATION REQUIREMENTS



To ensure proper ventilation for your refrigerator, allow for a 1/2" (1.25 cm) space on each side and at the top. Allow for 1" (2.54 cm) of space behind the refrigerator. If your refrigerator has an ice maker, make sure you leave some extra space at the back for the water line connections.

If you are installing your refrigerator next to a fixed wall, leave 2 1/2" (6.3 cm) minimum on the hinge side (some models require more) to allow for the door to swing open.

NOTE: This refrigerator is intended for use in a location where the temperature ranges from a minimum of 55°F (13°C) to a maximum of 110°F (43°C). The preferred room temperature range for optimum performance, which reduces electricity usage and provides superior cooling, is between 60°F (15°C) and 90°F (32°C). It is recommended that you do not install the refrigerator near a heat source, such as an oven or radiator.

Specification Sheet for Product:

KitchenAid KMHS120ESS

**Stainless Steel 30 Inch Wide 2.0 Cu. Ft. Over-the-Range Microwave
with 1000W of Cooking Power and 7 Sensor Functions**

KitchenAid® Microwave Hood Combination

PRODUCT MODEL NUMBERS

KMHC319E KMHP519E KMHS120E

ELECTRICAL REQUIREMENTS

Required:

- A 120 volt, 60 Hz, AC only, 15- or 20-amp electrical supply with a fuse or circuit breaker.

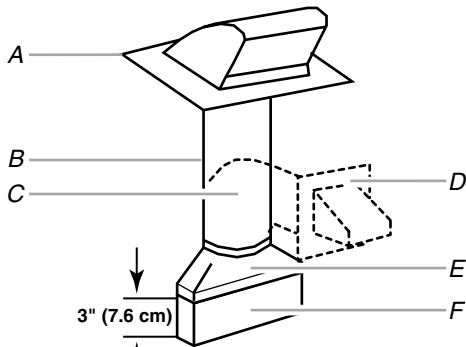
Recommended:

- A time-delay fuse or time-delay circuit breaker.
- A separate circuit serving only this microwave oven.

VENTING REQUIREMENTS

Rectangular to Round Transition:

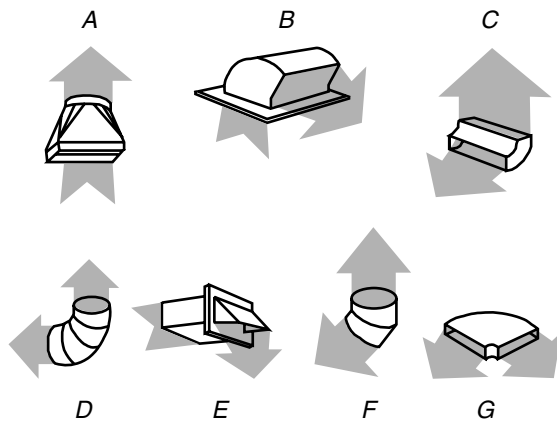
NOTE: The minimum 3" (7.6 cm) clearance must exist between the top of the microwave oven and the rectangular to round transition piece so that the damper can open freely and fully.



- A. Roof cap
- B. 6" (15.2 cm) min. diameter round vent
- C. Elbow (for wall venting only)
- D. Wall cap
- E. 3/4" x 10" to 6" (8.3 x 25.4 cm to 15.2 cm) rectangular to round transition piece
- F. Vent extension piece, at least 3" (7.6 cm) high

Recommended Standard Fittings

The following length equivalents are for use when figuring vent length. See the examples in "Recommended Vent Length."



- A. Rectangular to round transition piece: 3/4" x 10" to 6" = 5 ft (8.3 x 25.4 cm to 15.2 cm = 1.5 m)
- B. Roof cap: 3/4" x 10" = 24 ft (8.3 x 25.4 cm = 7.3 m)
- C. 90° elbow: 3" x 10" = 25 ft (8.3 x 25.4 cm = 7.6 m)
- D. 90° elbow: 6" = 10 ft (15.2 cm = 3 m)
- E. Wall cap: 3/4" x 10" = 40 ft (8.3 x 25.4 cm = 12.2 m)
- F. 45° elbow: 6" = 5 ft (15.2 cm = 1.5 m)
- G. 90° flat elbow: 3/4" x 10" = 10 ft (8.3 x 25.4 cm = 3 m)

Recommended Vent Length

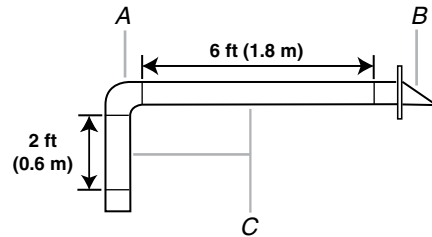
A 3/4" x 10" (8.3 x 25.4 cm) rectangular or 6" (15.2 cm) round vent should be used.

The total length of the vent system including straight vent, elbow(s), transitions and wall or roof caps must not exceed the equivalent of 140 ft (42.7 m) for either type of vent. See "Recommended Standard Fittings" section for equivalent lengths.

For best performance, use no more than three 90° elbows.

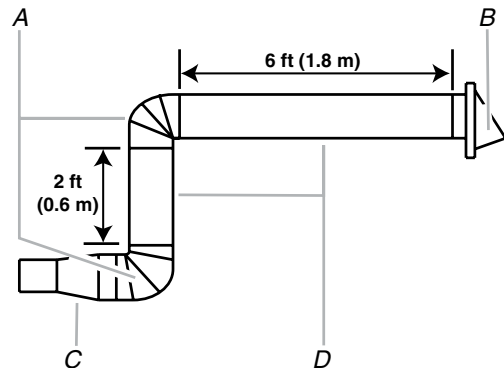
To calculate the length of the system you need, add the equivalent lengths of each vent piece used in the system. See the following examples:

3/4" x 10" (8.3 x 25.4 cm) vent system = 73 ft (22.2 m) total



- A. One 3/4" x 10" (8.3 x 25.4 cm) 90° elbow = 25 ft (7.6 m)
- B. 1 wall cap = 40 ft (12.2 m)
- C. 2 ft (0.6 m) + 6 ft (1.8 m) straight = 8 ft (2.4 m)

6" (15.2 cm) vent system = 73 ft (22.2 m) total



- A. Two 90° elbows = 20 ft (6.1 m)
- B. 1 wall cap = 40 ft (12.2 m)
- C. 1 rectangular to round transition piece = 5 ft (1.5 m)
- D. 2 ft (0.6 m) + 6 ft (1.8 m) straight = 8 ft (2.4 m)

If the existing vent is round, a rectangular to round transition piece must be used. In addition, a rectangular 3" (7.6 cm) extension vent between the damper assembly and rectangular to round transition piece must be installed to keep the damper from sticking.

LOCATION REQUIREMENTS

Special Requirements

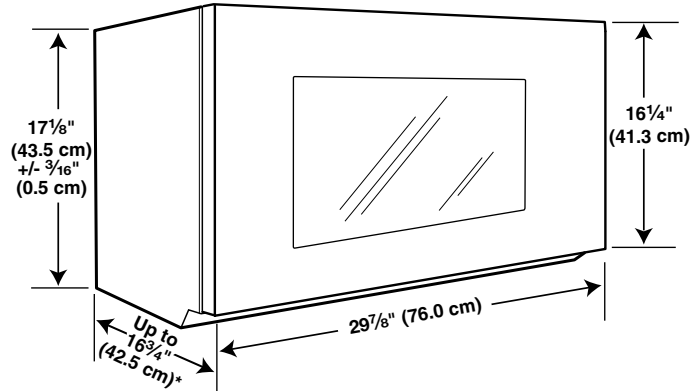
For Wall Venting Installation Only:

- Cutout must be free of any obstructions so that the vent fits properly, and the damper blade opens freely and fully.

For Roof Venting Installation Only:

- If you are using a rectangular to round transition piece, 3" (7.6 cm) clearance needs to exist above the microwave oven so that the damper blade can open freely and fully. See "Rectangular to Round Transition" illustration in "Venting Design Specifications" section.

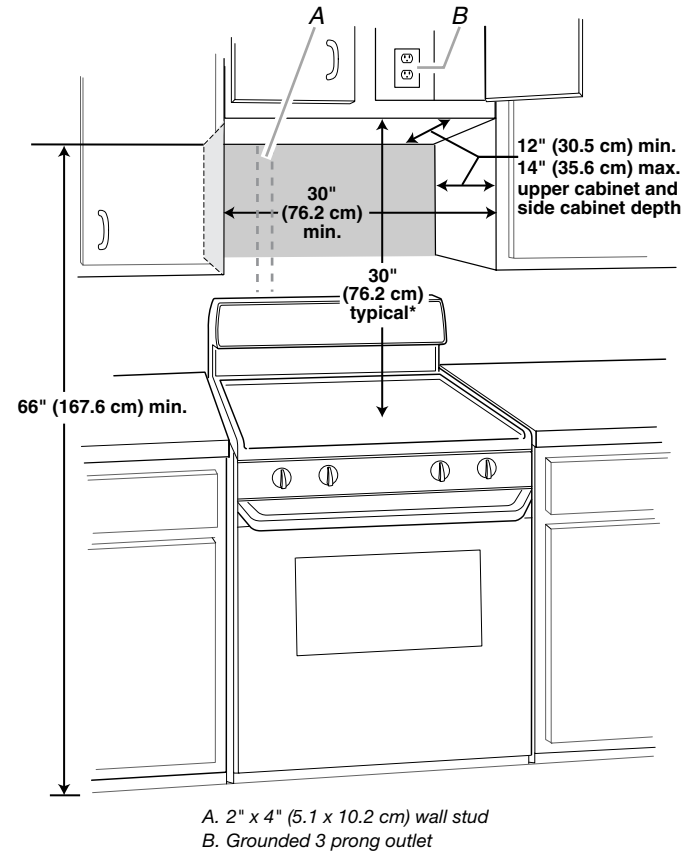
PRODUCT DIMENSIONS



* Overall depth of product will vary slightly depending on door design.

INSTALLATION DIMENSIONS

NOTE: The grounded 3 prong outlet must be inside the upper cabinet. See "Electrical Requirements" section.



*30" (76.2 cm) is typical for 66" (167.6 cm) installation height. Exact dimension may vary depending on type of range/cooktop below.

Specification Sheet for Product:

KitchenAid KSDB900ESS

**Stainless Steel 30 Inch Wide 7.1 Cu. Ft. Slide-In Dual Fuel Range
with Baking Drawer**

KitchenAid® 30" (76.2 cm) Slide-In Dual Fuel Range

PRODUCT MODEL NUMBERS

KSDB900E

GAS SUPPLY REQUIREMENTS

Natural Gas:

- This range is factory set for use with Natural gas. See "Gas Conversions" section. The model/serial/rating plate located on the oven frame behind the top right-hand side of the oven door has information on the types of gas that can be used. If the types of gas listed do not include the type of gas available, check with the local gas supplier.

LP gas conversion:

Conversion must be done by a qualified service technician.

No attempt shall be made to convert the appliance from the gas specified on the model/serial/rating plate for use with a different gas without consulting the serving gas supplier. See "Gas Conversions" section.

Gas Supply Line

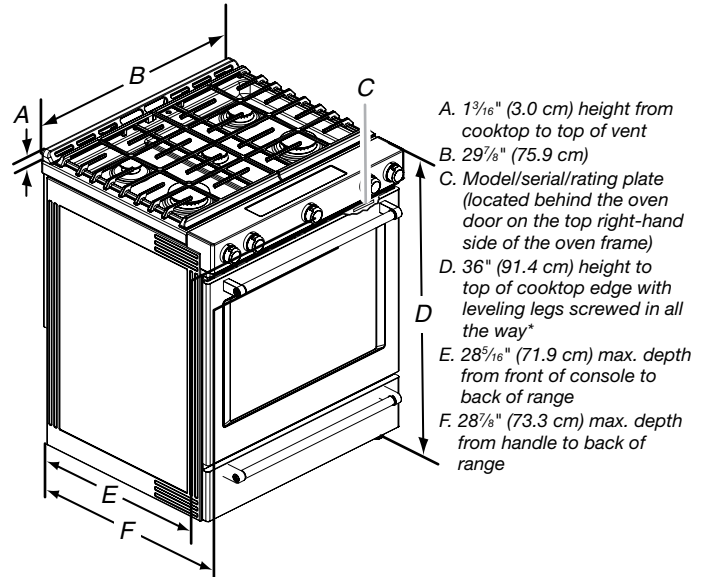
- Provide a gas supply line if 3/4" (1.9 cm) rigid pipe to the range location. A smaller pipe on longer runs may result in insufficient gas supply. With LP gas, piping or tubing size can be 1/2" (1.3 cm) minimum. Usually, LP gas suppliers determine the size and materials used in the system.

NOTE: Pipe-joint compounds that resist the action of LP gas must be used. Do not use TEFLON®† tape.

- If local codes permit, a new CSA design-certified, 4 to 5 ft (122 to 152.4 cm) long, 1/2" (1.3 cm) or 3/4" (1.9 cm) I.D. (inside diameter), flexible metal appliance connector may be used for connecting range to the gas supply line.
- Must include a shutoff valve:
The supply line must be equipped with a manual shutoff valve. This valve should be located in the same room but external to the range opening, such as an adjacent cabinet. It should be in a location that allows ease of opening and closing. Do not block access to shutoff valve. The valve is for turning on or shutting off gas to the range.

†TEFLON is a registered trademark of E.I. Du Pont Nemours and Company.

PRODUCT DIMENSIONS



- A. 1 3/16" (3.0 cm) height from cooktop to top of vent
- B. 29 7/8" (75.9 cm)
- C. Model/serial/rating plate (located behind the oven door on the top right-hand side of the oven frame)
- D. 36" (91.4 cm) height to top of cooktop edge with leveling legs screwed in all the way*
- E. 28 5/16" (71.9 cm) max. depth from front of console to back of range
- F. 28 7/8" (73.3 cm) max. depth from handle to back of range

IMPORTANT: Range must be level after installation. Follow the instructions in the "Level Range" section. Using the cooktop as a reference for leveling the range is not recommended.

* Range can be raised approximately 1" (2.5 cm) by adjusting the leveling legs.

ELECTRICAL REQUIREMENTS

This range is manufactured with the neutral terminal connected to the cabinet. Use a 3-wire UL listed, 40- or 50-amp power supply cord (pigtail). See the following Range Rating chart. If local codes do not permit ground through the neutral, use a 4-wire power supply cord rated at 250 volts, 40 or 50 amps and investigated for use with ranges.

Range Rating*		Specified Rating of Power Supply Cord Kit and Circuit Protection
120/240 Volts	120/208 Volts	Amp
8.8 - 16.5 KW	7.8 - 12.5 KW	40 or 50**
16.6 - 22.5 KW	12.6 - 18.5 KW	50

*The NEC calculated load is less than the total connected load listed on the model/serial/rating plate.

**If connecting to a 50-amp circuit, use a 50-amp rated cord with kit. For 50-amp rated cord kits, use kits that specify use with a nominal 1 3/8" (3.5 cm) diameter connection opening.

- A circuit breaker is recommended.

INSTALLATION CLEARANCES

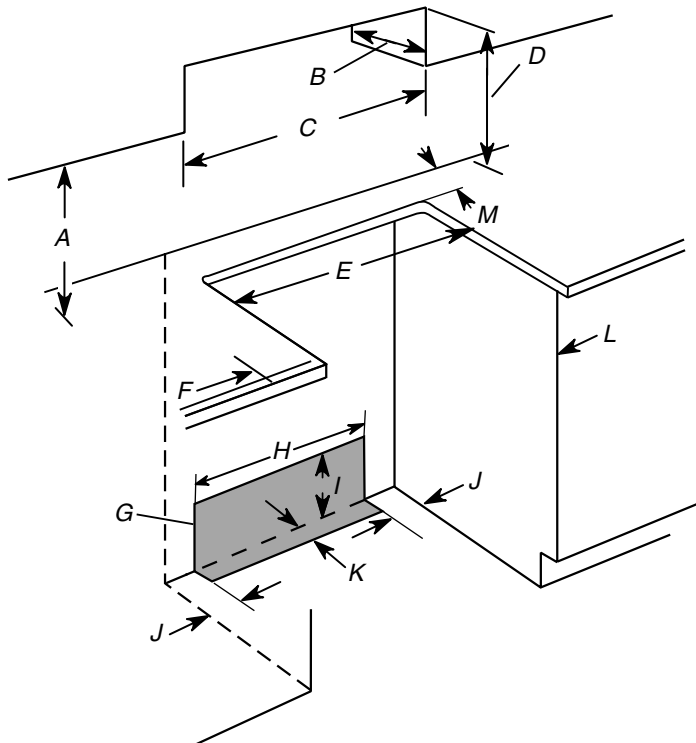
Cabinet opening dimensions shown are for 25" (64.0 cm) countertop depth, 24" (61.0 cm) base cabinet depth and 36" (91.4 cm) countertop height.

IMPORTANT: If installing a range hood or microwave hood combination above the range, follow the range hood or microwave hood combination installation instructions for dimensional clearances above the cooktop surface.

Range may be installed next to combustible walls with zero clearance.

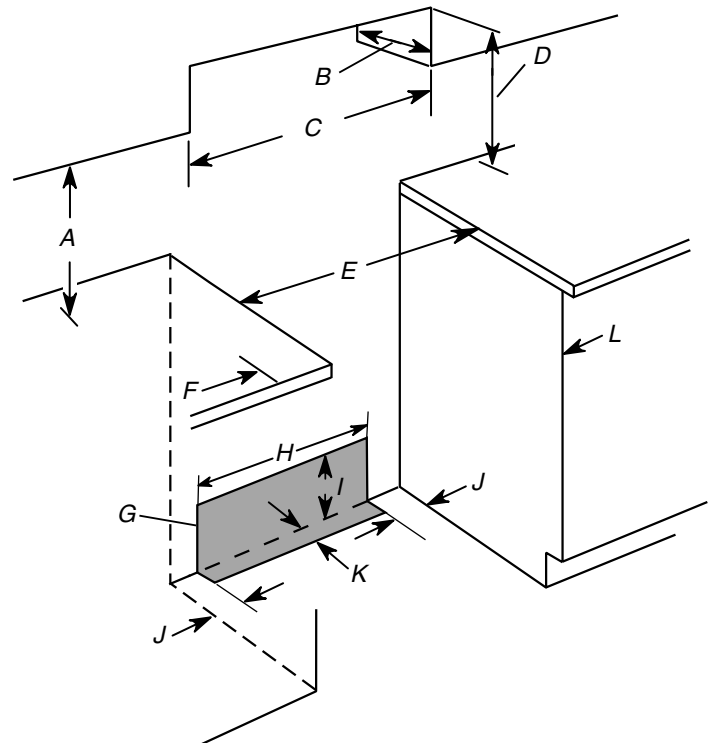
NOTE: When installed in a slide-in cutout, the front of oven door may protrude beyond the base cabinet.

Slide-In Cutout



- A. 18" (45.7 cm) upper side cabinet to countertop
- B. 13" (33.0 cm) max. upper cabinet to countertop
- C. 30" (76.2 cm) min. opening width
- D. For minimum clearance to top of the cooktop, see NOTE*.
- E. 30" (76.2 cm) min. opening width
- F. 3" (7.6 cm) min. clearance from both sides of range to side wall or other combustible material
- G. The shaded area is recommended for installation of rigid gas pipe and grounded outlet.
- H. 13¹/₈" (33.3 cm)
- I. 7¹/₁₆" (19.5 cm)
- J. 4¹³/₁₆" (12.2 cm)
- K. 3¹/₁₆" (9.4 cm) plus measurement of M
- L. Cabinet door or hinges should not extend into the cutout.
- M. Remaining counter depth should not exceed 2¹/₄" (5.7 cm)

Freestanding Cutout



- A. 18" (45.7 cm) upper side cabinet to countertop
- B. 13" (33.0 cm) max. upper cabinet to countertop
- C. 30" (76.2 cm) min. opening width
- D. For minimum clearance to top of the cooktop, see NOTE*.
- E. 30" (76.2 cm) min. opening width
- F. 3" (7.6 cm) min. clearance from both sides of range to side wall or other combustible material
- G. The shaded area is recommended for installation of rigid gas pipe and grounded outlet.
- H. 13¹/₈" (33.3 cm)
- I. 7¹/₁₆" (19.5 cm)
- J. 4¹³/₁₆" (12.2 cm)
- K. 3¹/₁₆" (9.4 cm)
- L. Cabinet door or hinges should not extend into the cutout.

***NOTE:** 24" (61.0 cm) minimum when bottom of wood or metal cabinet is covered by not less than 1/4" (0.64 cm) flame retardant millboard covered with not less than No. 28 MSG sheet steel, 0.015" (0.4 mm) stainless steel, 0.024" (0.6 mm) aluminum or 0.020" (0.5 mm) copper. 30" (76.2 cm) minimum clearance between the top of the cooking platform and the bottom of an uncovered wood or metal cabinet.

Specification Sheet for Product:

KitchenAid KDTE204KPS

**PrintShield Stainless 24 Inch Wide 13 Place Setting Energy Star
Certified Built-In Fully Integrated Dishwasher with Third Level
Utensil Rack**

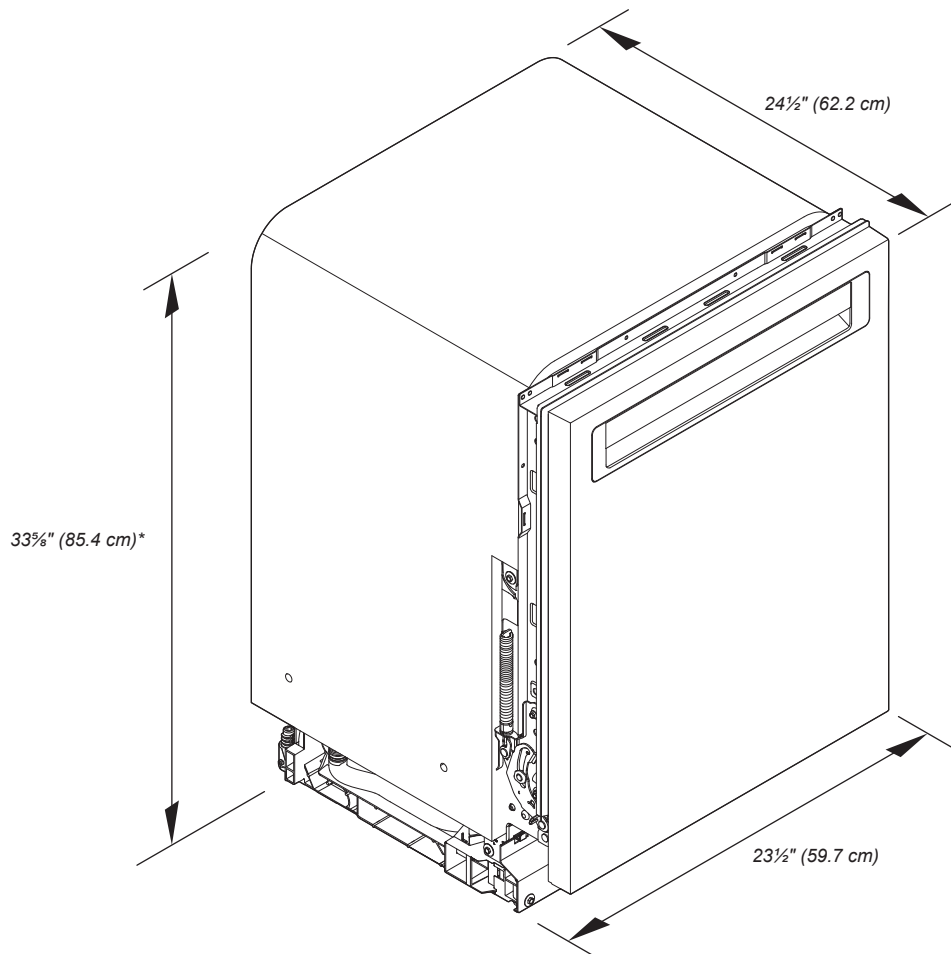


24" Dishwasher

DETAILED PLANNING DIMENSIONS GUIDE

Applies to all model numbers starting with;
KDFE104K, KDTE104K, KDFE204K, KDTE204K, KDTE304LPA,
KDFM404K, KDTM404K, KDPM604K, KDTM604K, KDPM704K,
KDTM704K, KDTM704LPA, KDPM804K, KDTM804K

PRODUCT DIMENSIONS

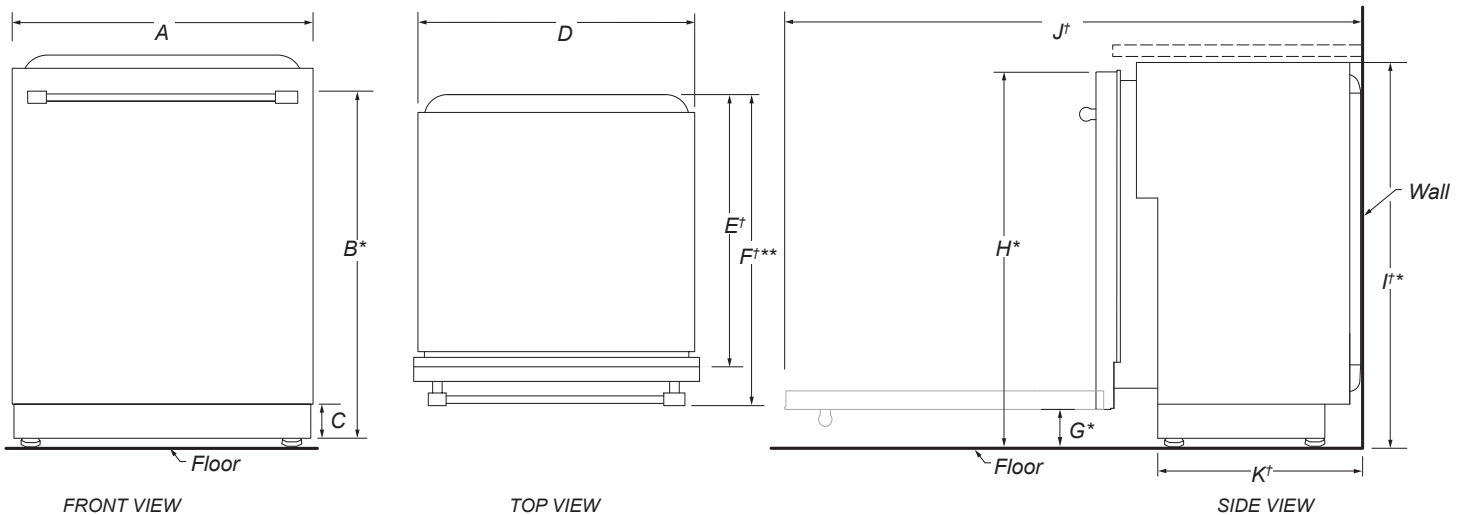


*Dishwasher can be raised 1 7/16" (3.7 cm) with feet fully extended.

Because Whirlpool Corporation policy includes a continuous commitment to improve our products, we reserve the right to change materials and specifications without notice.

Dimensions are for planning purposes only. For complete details, see Installation Instructions packed with product. Specifications subject to change without notice.

PRODUCT DIMENSIONS (CONTD.)



	DESCRIPTION	DIMENSIONS
A	Width of door	23½" (59.7 cm)
B*	Height to top of handle	30⅜" (78.3 cm)
C	Height of adjustable toe kick	3⅝" (8.4 cm) - min. 4⅛" (11.8 cm) - max.
D	Width of recessed dishwasher	22⅝" (57.4 cm)
E†	Depth without door	22⅝" (57.5 cm)
F†**	Depth with Towel Bar Handle	26⅞" (68.3 cm)
	Depth with Pocket Handle	24½" (62.6 cm)
	Depth of Panel-Ready Models	24" (61.0 cm)
G*	Height to bottom of door (min.)	3⅝" (8.4 cm)
H*	Height to top of door (min.)	33⅞" (84.9 cm)
I†	Height of recessed dishwasher (min.)	33⅝" (85.4 cm)
J†	Depth with door fully open (min.)	50⅜" (127.4 cm)
K†	Depth with toe kick (min.)	20⅜" (52.9 cm)

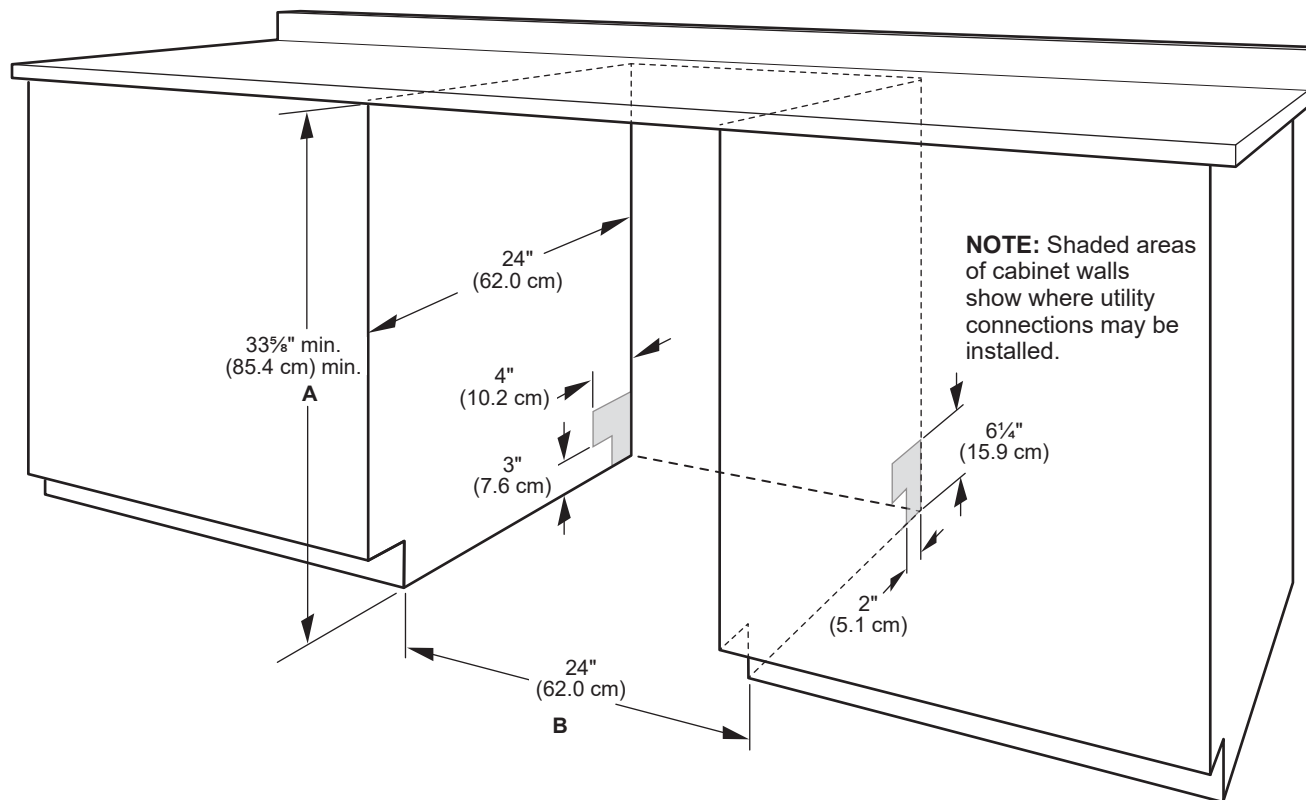
†Insulation blanket thickness not included, can be crushed up to 1/8" (0.3 cm), or removed along the top perforate section for additional clearance.

*Dishwasher can be raised 1⅞" (3.7 cm) with feet fully extended.

**For panel-ready models, dishwasher depth is 24" (61.0 cm), not including the ¾" (1.9 cm) custom door panel.

OPENING/CLEARANCE DIMENSIONS

IMPORTANT: Check that all surfaces have no protrusions that would prohibit dishwasher installation.



A. Measured from the lowest point on the underside of the countertop. May be reduced to 33 5/8" min. (85.4 cm) min. by removing the feet and perforated area of insulation (blanket) on dishwasher.

B. Minimum, measured from narrowest point of opening.

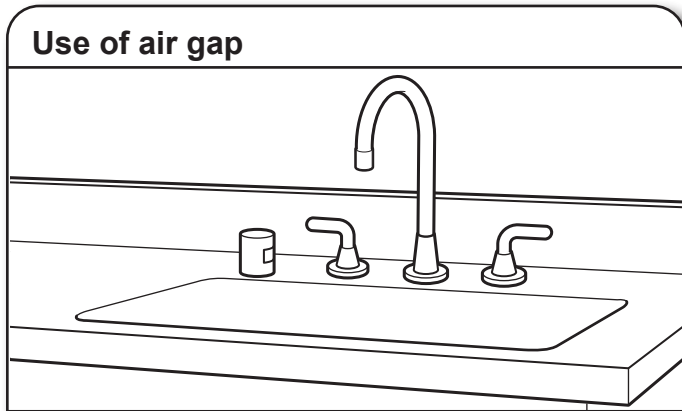
NOTE: Corner locations require a 2" (5.1 cm) minimum clearance between the side of the dishwasher door and the wall or cabinet.

DRAIN REQUIREMENTS

- A new drain hose is supplied with your dishwasher. If drain hose is not long enough, use a new drain hose with a maximum length of 12 ft (3.7 m) that meets all current AHAM/ IAPMO test standards, is resistant to heat and detergent, and fits the 1" (2.5 cm) drain connector of the dishwasher.

NOTE: Do not connect multiple drain hoses together.

- Make sure to connect drain hose to waste tee or disposer inlet above drain trap in house plumbing and 20" (50.8 cm) minimum above the floor. It is recommended that the drain hose either be looped up and securely fastened to the underside of the counter or be connected to an air gap.
- Make sure to use an air gap if the drain hose is connected to house plumbing lower than 20" (50.8 cm) above subfloor or floor.



- If required, the air gap should be installed in accordance with the air gap installation instructions. When you are connecting the air gap, a rubber hose (not provided) will be needed to connect to the waste tee or disposer inlet.
- Use 1/2" (1.3 cm) minimum I.D. drain line fittings.

WATER SUPPLY REQUIREMENTS

- This dishwasher has a water heating feature and also requires a connection to a hot water supply line.
 - A hot water line with 20 psi to 120 psi (138 kPa to 862 kPa) water pressure can be verified by a licensed plumber.
 - 120°F (49°C) water at dishwasher.
 - 3/8" (0.95 cm) O.D. copper tubing with compression fitting or flexible braided water supply line.
- NOTE:** 1/2" (1.3 cm) minimum plastic tubing is not recommended.
- A 90° elbow with 3/4" (0.95 cm) hose connection with rubber washer.
 - Do not solder within 6" (15.2 cm) of the water inlet valve.
 - If installed in new construction, make sure the house water supply lines have been flushed prior to connecting the dishwasher to remove any debris that may exist in the supply line.

NOTE: If replacing an existing dishwasher, it is recommended to install a new water line and drain hose (supplied) with the new dishwasher.

ELECTRICAL REQUIREMENTS

⚠ WARNING



Electrical Shock Hazard

Plug into a grounded 3 prong outlet.

Do not remove ground prong.

Do not use an adapter.

Do not use an extension cord.

Failure to follow these instructions can result in death, fire, or electrical shock.

Be sure that the electrical connection and wire size are adequate and in conformance with the National Electrical Code, ANSI/NFPA 70 - latest edition, and all local codes and ordinances.

A copy of the above code standards can be obtained from:

National Fire Protection Association
1 Batterymarch Park
Quincy, MA 02169-7471

You Must Have:

- 120 V, 60 Hz, AC only, 15 A or 20 A, fused electrical supply
- Copper wire only
- A maximum of 2 field wiring supply conductors (12 AWG largest size) plus 1 grounding conductor are permitted in the terminal box.


We Recommend:

- A time-delay fuse or circuit breaker.



Circuit Requirements:

- The dishwasher may be installed on the same circuit as a garbage disposal providing that the branch circuit cannot exceed rated circuit load and must comply with all governing codes and regulations such as but not limited to National Electrical Code, ANSI/NFPA 70 - latest edition.
- No electrical connections other than the dishwasher power and ground connections can be made inside of the dishwasher terminal box.

If connecting dishwasher with a power supply cord:

- Use UL Listed power cord kit marked for use with dishwasher. 
- Plug into a grounded 3 prong outlet. Outlet must meet all local codes and ordinances.

If connecting dishwasher with direct wiring:

- Use flexible, armored, or nonmetallic sheathed copper wire with grounding wire that meets the wiring requirements for your home and local codes and ordinances. 
- Use a UL Listed/CSA Approved metallic strain relief. 



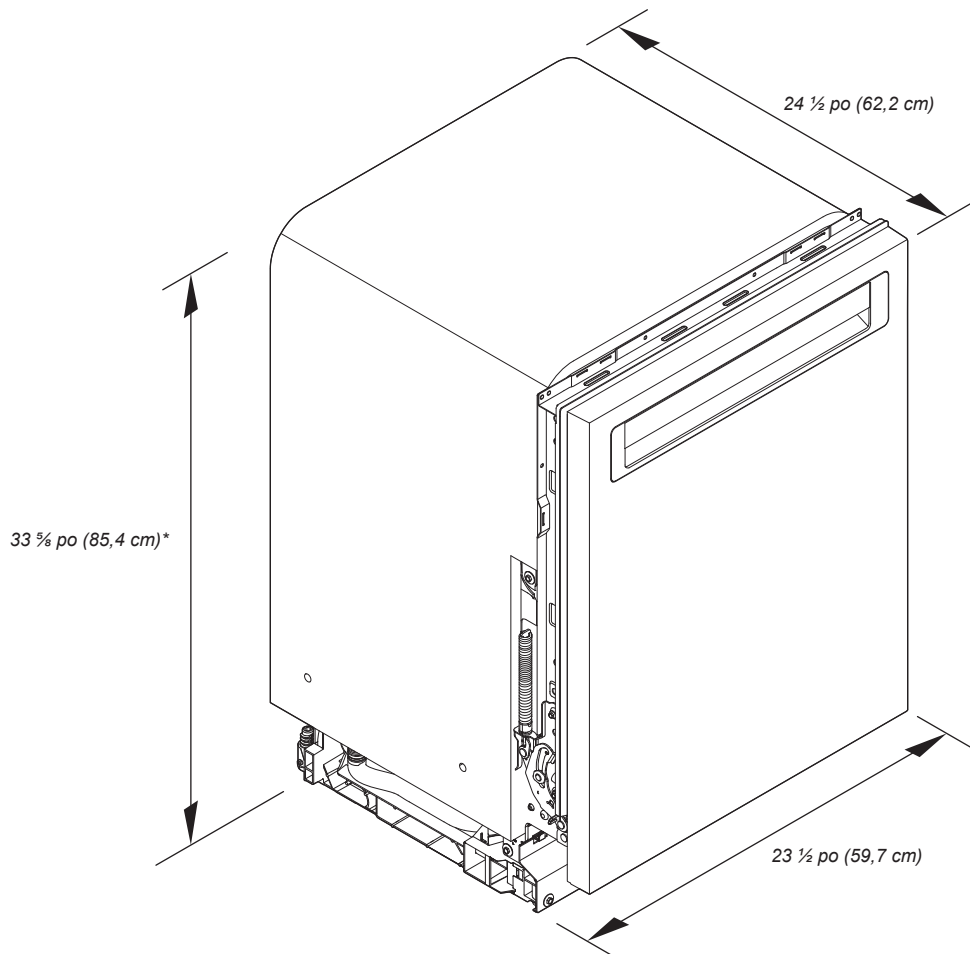
Lave-vaisselle de 24 po

GUIDE SUR LES DIMENSIONS DE PLANIFICATION DÉTAILLÉES

Pertinent pour tous les modèles, notamment :

KDFE104K, KDTE104K, KDFE204K, KDTE204K, KDTE304LPA,
KDFM404K, KDTM404K, KDPM604K, KDTM604K, KDPM704K,
KDTM704K, KDTM704LPA, KDPM804K, KDTM804K

DIMENSIONS DU PRODUIT

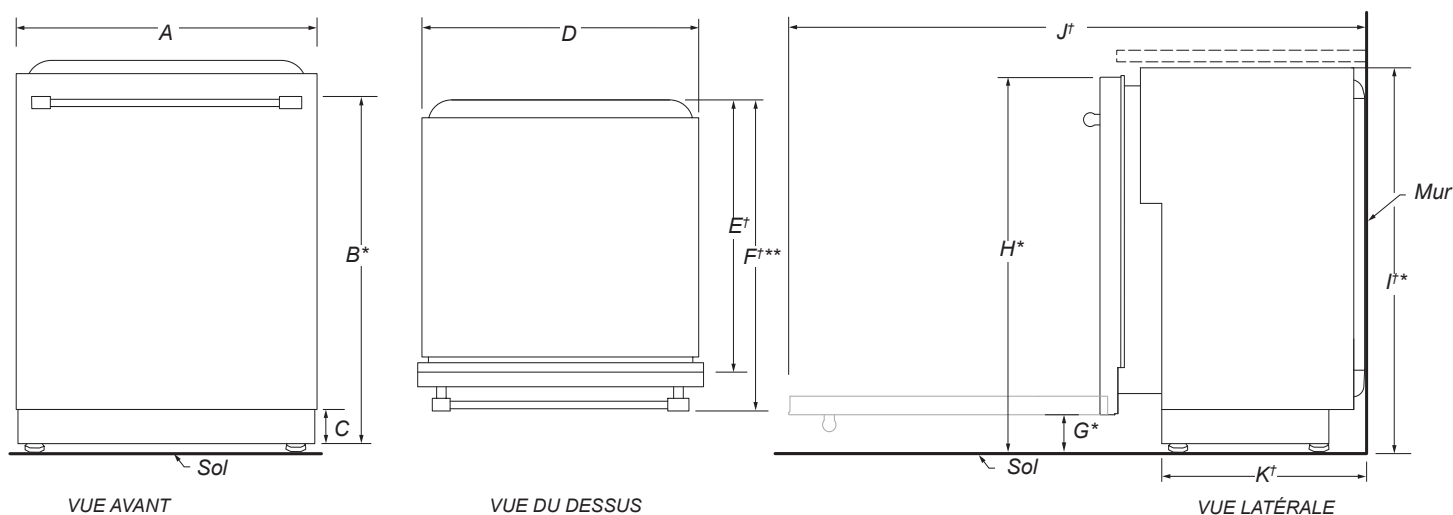


*Le lave-vaisselle peut être relevé de 1 7/16 po (3,7 cm) avec les pieds complètement déployés.

La politique de Whirlpool Corporation, c'est aussi notre engagement à travailler sans relâche à l'amélioration de nos produits; aussi nous nous réservons le droit de modifier les matériaux et spécifications sans préavis.

Les dimensions sont indiquées à des fins de planification uniquement. Pour des détails complets, voir les Instructions d'installation fournies avec le produit. Spécifications indiquées sous réserve de modifications.

DIMENSIONS DU PRODUIT (SUITE)



	DESCRIPTION	DIMENSIONS
A	Largeur de la porte	23 ½ po (59,7 cm)
B*	Hauteur jusqu'au sommet de la poignée	30 ¹³ / ₁₆ po (78,3 cm)
C	Hauteur de la plinthe réglable	3 ⁵ / ₁₆ po (8,4 cm) - min. 4 ¹¹ / ₁₆ po (11,8 cm) - max.
D	Largeur du lave-vaisselle encastré	22 ⁵ / ₈ po (57,4 cm)
E†	Profondeur sans porte	22 ⁵ / ₈ po (57,5 cm)
F†**	Profondeur avec poignée porte-serviettes	26 ⁷ / ₈ po (68,3 cm)
	Profondeur avec poignée en creux	24 ½ po (62,6 cm)
	Profondeur des modèles avec panneaux prêts à installer	24 po (61,0 cm)
G*	Hauteur au bas de la porte (min.)	3 ⁵ / ₁₆ po (8,4 cm)
H*	Hauteur jusqu'au haut de la porte (min.)	33 ⁷ / ₁₆ po (84,9 cm)
I*	Hauteur du lave-vaisselle encastré (min.)	33 ⁵ / ₈ po (85,4 cm)
J†	Profondeur avec porte entièrement ouverte (min.)	50 ³ / ₁₆ po (127,4 cm)
K†	Profondeur avec plinthe (min.)	20 ¹³ / ₁₆ po (52,9 cm)

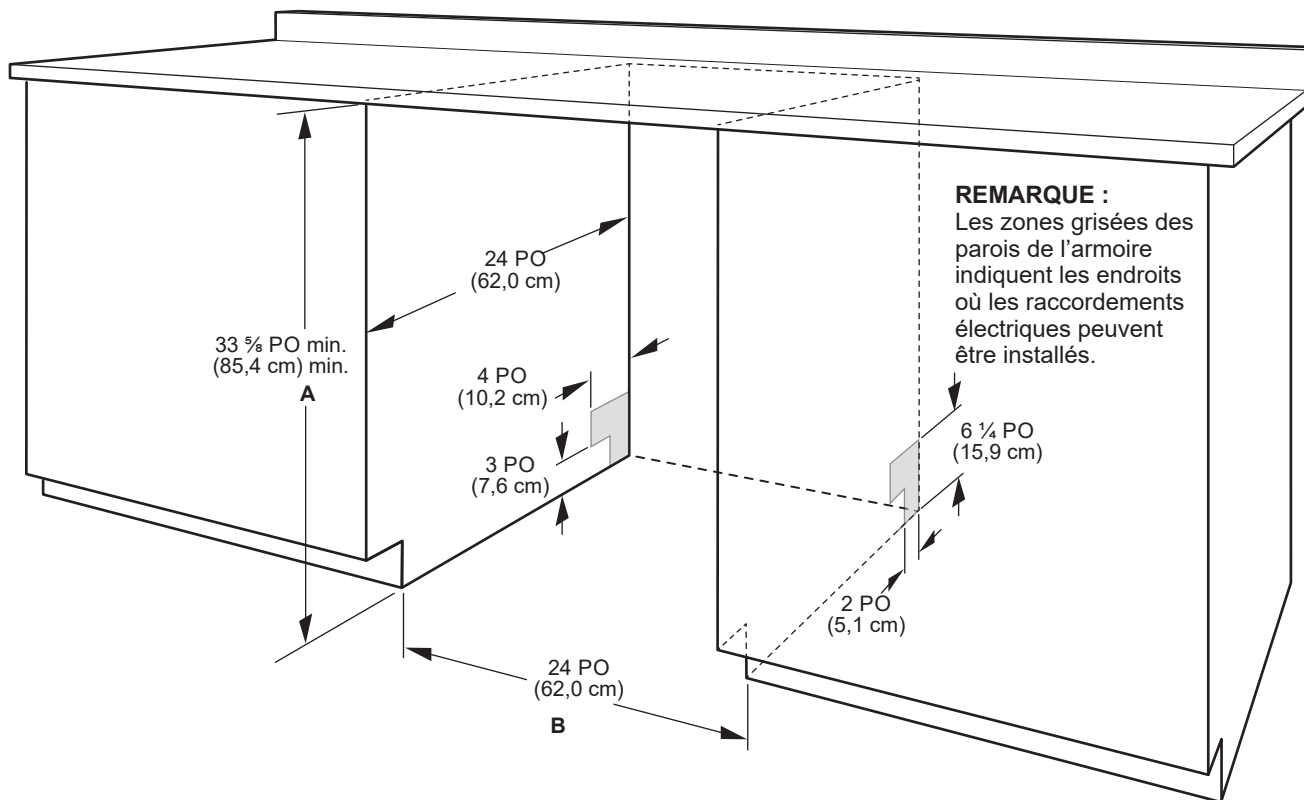
†Épaisseur de la couverture isolante non incluse, elle peut s'aplatir jusqu'à 1/8 po (0,3 cm) ou être enlevée par la section perforée du dessus pour obtenir plus de dégagement.

*Le lave-vaisselle peut être relevé de 1 ⁷/₁₆ po (3,7 cm) avec les pieds complètement déployés.

**Pour les modèles avec panneaux prêts à installer, la profondeur du lave-vaisselle est de 24 po (61,0 cm) – sans le panneau de porte personnalisé de 3/4 po (1,9 cm).

DIMENSIONS D'OUVERTURE ET DE DÉGAGEMENT

IMPORTANT : Vérifier que toutes les surfaces n'ont aucune aspérité qui empêcherait l'installation du lave-vaisselle.



A. A. Mesure depuis le point le plus bas de la face inférieure du comptoir. Cette dimension peut être réduite à 33 5/8 po min. (85,4 cm) min. en retirant les pieds du lave-vaisselle et en perforant l'isolant (couverture isolante) de l'appareil.

B. Dimension minimale mesurée au point le plus étroit de l'ouverture.

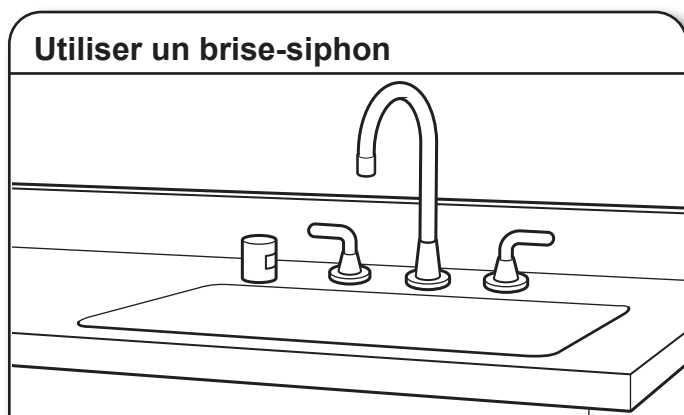
REMARQUE : Dans le cas de l'installation dans un angle, on doit pouvoir établir un dégagement de 2 po (5,1 cm) ou plus entre le côté de la porte du lave-vaisselle et le mur ou l'armoire.

EXIGENCES D'ÉVACUATION

- Un tuyau d'évacuation neuf est fourni avec le lave-vaisselle. Si le tuyau d'évacuation n'est pas suffisamment long, utiliser un tuyau d'évacuation neuf d'une longueur maximale de 12 pi (3,7 m) satisfaisant à toutes les normes de test AHAM/IAPMO en vigueur, qui soit résistant à la chaleur et au détergent et qui convienne au raccord d'évacuation de 1 po (2,5 cm) du lave-vaisselle.

REMARQUE : Ne pas raccorder plusieurs tuyaux de vidange.

- Veiller à raccorder le tuyau d'évacuation à la canalisation d'égout en T ou au raccord de broyeur à déchets en amont du siphon du circuit de plomberie du domicile, et à au moins 20 po (50,8 cm) au-dessus du sol. On recommande de lover le tuyau d'évacuation et de le fixer solidement sur la face inférieure du comptoir ou de le raccorder à un dispositif de brise-siphon.
- Utiliser un dispositif de brise-siphon si le tuyau d'évacuation est raccordé au circuit de plomberie du domicile à moins de 20 po (50,8 cm) au-dessus du sous-plancher ou du plancher.



- Si nécessaire, le dispositif de brise-siphon doit être installé conformément aux instructions d'installation de ce dernier. Lors du raccordement du dispositif de brise-siphon à la canalisation d'égout en T ou au raccord de broyeur à déchets, un tuyau en caoutchouc (non fourni) sera nécessaire.
- Utiliser des raccords de canalisation d'évacuation de diamètre intérieur de 1/2 po (1,3 cm) minimum.

SPÉCIFICATIONS DE L'ALIMENTATION EN EAU

- Ce lave-vaisselle est doté d'une fonction de chauffage de l'eau et doit être raccordé à la canalisation d'alimentation en eau chaude.
- Une canalisation d'eau chaude, sous pression de 20 à 120 lb/po² (138 à 862 kPa), peut être inspectée par un plombier certifié.
- Température de 120 °F (49 °C) à l'entrée du lave-vaisselle.
- Tube de cuivre de 3/8 po (0,95 cm) de diamètre externe avec raccord de compression ou canalisation d'alimentation en eau flexible à tresse d'acier.

REMARQUE : L'emploi d'un tuyau de plastique d'un minimum de 1/2 po (1,3 cm) n'est pas recommandé.

- Raccord coudé à 90° avec raccord de tuyau de 3/4 po (0,95 cm) et rondelle de caoutchouc.
- Ne pas souder à moins de 6 po (15,2 cm) de l'électrovanne d'admission d'eau.
- S'il est installé dans une nouvelle construction, vous assurer que l'entrée d'eau de la maison a été nettoyée avant d'effectuer le branchement au lave-vaisselle pour enlever les débris possibles.

REMARQUE : S'il remplace un lave-vaisselle existant, il est recommandé d'installer une nouvelle entrée d'eau et vider le tuyau de vidange (fourni) avec le nouveau lave-vaisselle.

SPÉCIFICATIONS ÉLECTRIQUES

! AVERTISSEMENT



Risque de choc électrique

Brancher sur une prise à 3 alvéoles reliée à la terre.

Ne pas enlever la broche de liaison à la terre.

Ne pas utiliser un adaptateur.

Ne pas utiliser un câble de rallonge.

Le non-respect de ces instructions peut causer un décès, un incendie ou un choc électrique.

S'assurer que le raccordement électrique est adéquat et conforme au code national de l'électricité, ANSI/NFPA 70 – dernière édition, et à tous les codes et règlements locaux en vigueur.

Pour obtenir un exemplaire des normes des codes ci-dessus, contacter :

National Fire Protection Association
1 Batterymarch Park
Quincy, MA 02169-7471

Il vous faut :

- Alimentation de 120 V CA à 60 Hz et protégée par un fusible de 15 ou 20 A
- Conducteurs de cuivre uniquement
- Un maximum de deux conducteurs d'alimentation (calibre 12 AWG maximum) plus un conducteur de mise à la terre est autorisé dans le boîtier de connexion.



Nous recommandons :

- L'utilisation d'un fusible ou disjoncteur temporisé.


Spécifications du circuit :

- Le lave-vaisselle peut être installé sur le même circuit que le broyeur à déchets en s'assurant que ce circuit ne dépasse pas la charge nominale et qu'il respecte les normes et codes dont, mais ne se limitant pas, au au code national de l'électricité, ANSI/NFPA 70 – dernière édition.
- Aucun autre raccordement électrique que ceux des conducteurs d'alimentation et de mise à la terre du lave-vaisselle ne peuvent être effectués à l'intérieur du boîtier de connexion du lave-vaisselle.

Pour le raccordement du lave-vaisselle avec un cordon d'alimentation électrique :

- Utiliser un cordon d'alimentation (homologation UL) conçu pour utilisation avec un lave-vaisselle. 
- Brancher l'appareil sur une prise à 3 alvéoles reliée à la terre. La prise doit être conforme à tous les codes et règlements locaux. 

Pour le raccordement direct du lave-vaisselle :

- Utiliser des conducteurs de cuivre gainés non métalliques ou blindés souples avec conducteur de liaison à la terre qui satisfassent aux exigences de l'installation électrique du domicile, et qui soient conformes aux prescriptions des codes et règlements locaux.
- Utiliser un serre-câbles homologué UL ou CSA. 

KitchenAid®

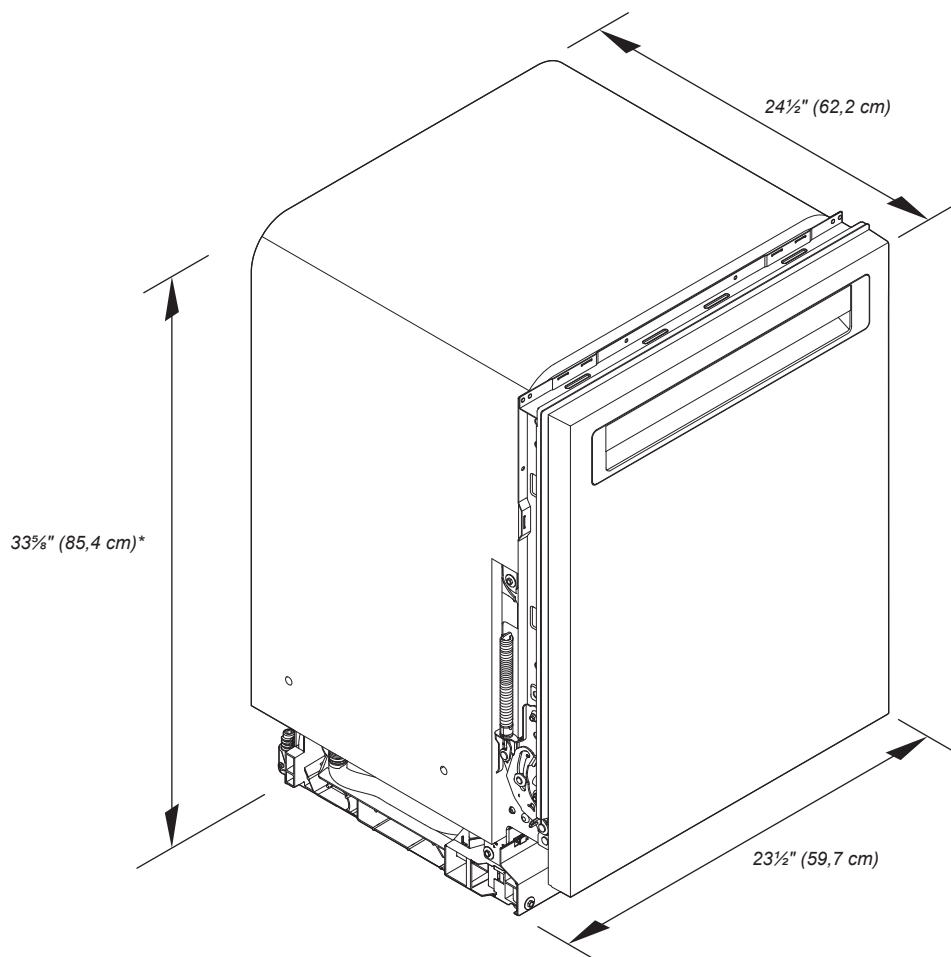
Lavavajillas de 24"

GUÍA DE DIMENSIONES DE PLANIFICACIÓN EN DETALLE

Aplicable para todos los números de modelos que comiencen con:

KDFE104K, KDTE104K, KDFE204K, KDTE204K, KDTE304LPA,
KDFM404K, KDTM404K, KDPM604K, KDTM604K, KDPM704K,
KDTM704K, KDTM704LPA, KDPM804K, KDTM804K

DIMENSIONES DEL PRODUCTO

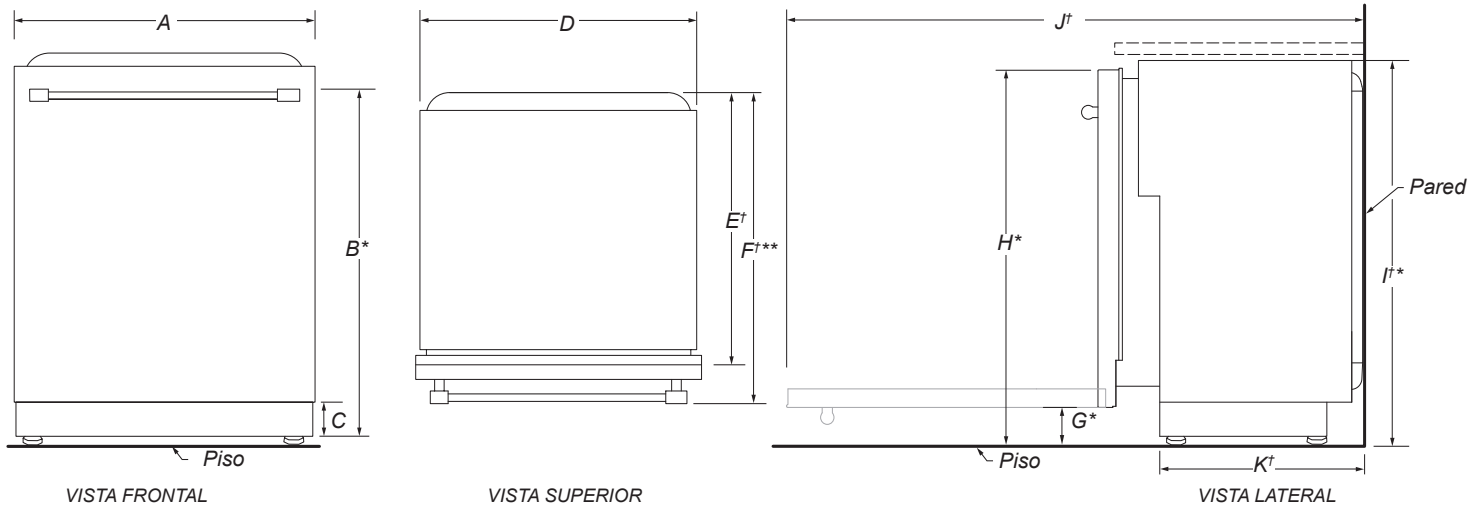


*La lavavajillas se puede elevar 1 7/16" (3,7 cm) con las patas completamente extendidas.

Debido a que la política de Whirlpool Corporation incluye un compromiso continuo para mejorar nuestros productos, nos reservamos el derecho de cambiar materiales y especificaciones sin previo aviso.

Las dimensiones son solo para fines de planificación. Para obtener los detalles completos, vea las Instrucciones de instalación incluidas con el producto. Las especificaciones están sujetas a cambio sin previo aviso.

DIMENSIONES DEL PRODUCTO (CONT.)



	DESCRIPCIÓN	DIMENSIONES
A	Ancho de la puerta	23½" (59,7 cm)
B*	Altura de la parte superior de la manija	30¹³⁄₁₆" (78,3 cm)
C	Altura del zócalo ajustable	3⁵⁄₁₆" (8,4 cm) - mín. 4¹¹⁄₁₆" (11,8 cm) - máx.
D	Ancho de la lavavajillas empotrada	22⁵⁄₈" (57,4 cm)
E†	Profundidad sin puerta	22⁵⁄₈" (57,5 cm)
F†**	Profundidad con manija tipo toallero	26⁷⁄₈" (68,3 cm)
	Profundidad con manija empotrada	24½" (62,6 cm)
	Profundidad de los modelos adaptados a la instalación de panel	24" (61 cm)
G*	Altura hasta la parte inferior de la puerta (mín.)	3⁵⁄₁₆" (8,4 cm)
H*	Altura hasta la parte superior de la puerta (mín.)	33⁷⁄₁₆" (84,9 cm)
I†*	Altura de la lavavajillas empotrada (mín.)	33⁵⁄₈" (85,4 cm)
J†	Profundidad con la puerta totalmente abierta (mín.)	50³⁄₁₆" (127,4 cm)
K†	Profundidad con zócalo (mín.)	20¹³⁄₁₆" (52,9 cm)

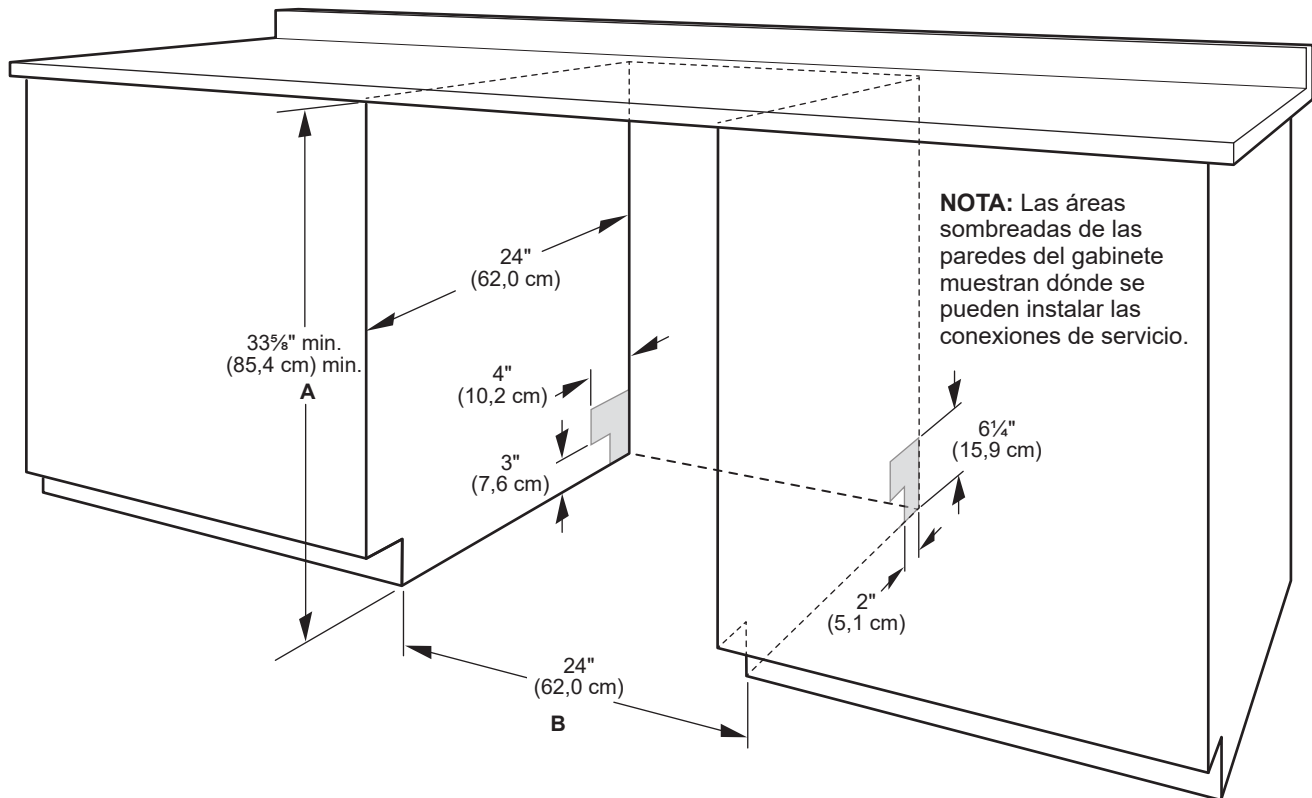
†El grosor de la manta aislante no está incluido, puede aplastarse hasta 1/8" (0,3 cm) o puede quitarse a lo largo de la sección perforada superior para obtener espacio adicional.

*La lavavajillas se puede elevar 1⁷⁄₁₆" (3,7 cm) con las patas completamente extendidas.

**Para los modelos adaptables para la instalación de paneles, la profundidad de la lavavajillas es de 24" (61,0 cm) sin incluir el panel de la puerta a la medida de 3/4" (1,9 cm).

MEDIDAS DE ABERTURA/ESPACIO

IMPORTANTE: Revise todas las superficies para asegurarse de que no hayan protuberancias que pudieran impedir la instalación de la lavavajillas.



A. Medido desde el punto más bajo del lado inferior del mostrador. Se puede reducir a 33 $\frac{5}{8}$ " min. (85,4 cm) min. retirando las patas y el área perforada del aislante (manta) en la lavavajillas.

B. Mínimo, medido desde el punto más angosto de la abertura.

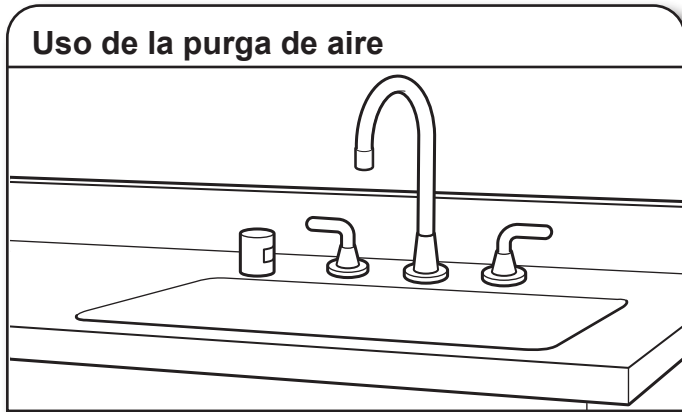
NOTA: Las ubicaciones en esquinas requieren de un espacio libre mínimo de 2" (5,1 cm) entre el lado de la puerta de la lavavajillas y la pared o el gabinete.

REQUISITOS DE DESAGÜE

- Se provee una manguera nueva de desagüe con su lavavajillas. Si la manguera de desagüe no es lo suficientemente larga, utilice una manguera de desagüe nueva con una longitud máxima de 12 pies (3,7 m) que cumpla con todos los estándares de comprobación actuales de AHAM/IAPMO, que sea resistente al calor y al detergente, y que encaje en el conector de desagüe de 1" (2,5 mm) de la lavavajillas.

NOTA: No conecte múltiples mangueras de desagüe juntas.

- Asegúrese de conectar la manguera de desagüe al colector de residuos en "T" o a la entrada del colector de residuos sobre el sifón de desagüe en la plomería de la casa, y a un mínimo de 20" (50,8 cm) por encima del piso. Se recomienda que la manguera de desagüe se enrolle y fije con firmeza a la parte inferior del mostrador o que se conecte a una purga de aire.
- Asegúrese de utilizar una purga de aire si la manguera de desagüe está conectada a la plomería de la casa a una altura menor de 20" (50,8 cm) sobre el contrapiso o el piso.



- Si se requiere, la purga de aire se debe instalar siguiendo las instrucciones de instalación de la misma. Al conectar la purga de aire, se requiere una manguera de goma (no proporcionada) para conectarla al tubo de residuos en "T" o la entrada del colector de residuos.
- Use accesorios para líneas de desagüe con un diámetro interior de 1,3 cm (1/2") mínimo.

REQUISITOS DE SUMINISTRO DE AGUA

- Esta lavavajilla tiene una función de calentamiento de agua y también requiere una conexión a una línea de suministro de agua caliente.

- Una tubería de agua caliente con presión de agua de 20 psi a 120 psi (de 138 kPa a 862 kPa), que pueda ser verificada por un plomero autorizado.

- Agua a 120 °F (49 °C) en la lavavajillas

- Tubería de cobre con un diámetro externo de 3/8" (0,95 cm) con racor con conexión de compresión o tubería de suministro de agua trenzada flexible.

NOTA: No se recomienda usar tubería de plástico de 1/2" (1,3 cm) mínimo.

- Un codo de 90° con una conexión de manguera de 3/4" (0,95 cm) con una arandela de goma.

- No suelde a una distancia menor de 6" (15,2 cm) de la válvula de entrada del agua.

- Si la instalación se realiza en una construcción nueva, asegúrese de enjuagar las tuberías de suministro de agua domésticas antes de conectar la lavavajillas para eliminar cualquier residuo presente en la tubería de suministro.

NOTA: Si se va a reemplazar una lavavajillas existente, se recomienda instalar una nueva tubería de agua y manguera de desagüe (suministradas) con la nueva lavavajillas.

REQUISITOS ELÉCTRICOS

⚠ ADVERTENCIA



Peligro de Choque Eléctrico

Conecte a un contacto de pared de conexión a tierra de 3 terminales.

No quite la terminal de conexión a tierra.

No use un adaptador.

No use un cable eléctrico de extensión.

No seguir estas instrucciones puede ocasionar la muerte, incendio o choque eléctrico.

Asegúrese de que la conexión eléctrica y el tamaño del cable sean adecuados y cumplan con el Código nacional eléctrico, ANSI/NFPA 70, su edición más reciente, y con todos los códigos y las ordenanzas locales.

Puede obtener una copia de las normas de los códigos antes indicados en:

National Fire Protection Association
1 Batterymarch Park
Quincy, MA 02169-7471

Usted debe tener:

- Un suministro eléctrico de 120 V, 60 Hz., CA solamente, con fusibles de 15 A o 20 A
- Solamente cable de cobre
- Se permite un máximo de 2 conductores de suministro de cable en sitio (tamaño máximo: 12 AWG) y 1 conductor de conexión a tierra en la caja de terminales.



Se recomienda:

- Un fusible retardador o un disyuntor.


Requisitos del circuito:

- La lavavajillas se puede instalar en el mismo circuito que el triturador de basura siempre y cuando el circuito derivado no exceda la carga calculada del circuito y cumpla con todos los códigos y regulaciones vigentes, como, por ejemplo, la edición más reciente del Código nacional eléctrico, ANSI/NFPA 70.
- No se puede realizar ninguna otra conexión eléctrica dentro de la caja de terminales de la lavavajillas más que la conexión a tierra y la de suministro eléctrico de esta.

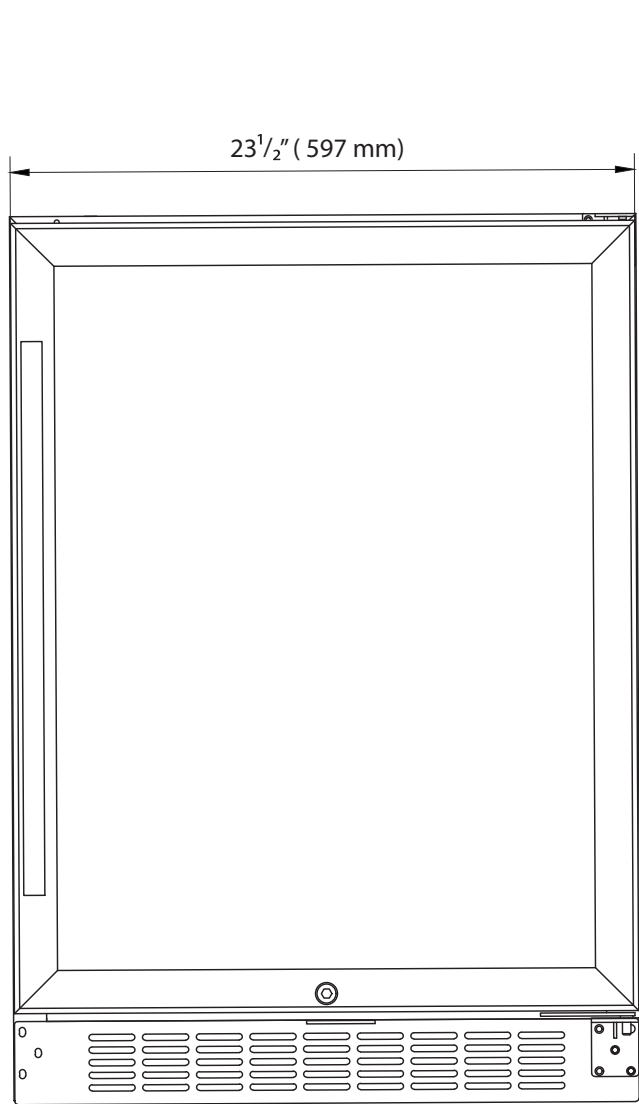
Si va a conectar la lavavajillas con un cable de suministro eléctrico:

- Use un cable de suministro de energía con certificación UL para uso con lavavajillas. 
- Conecte el producto a un tomacorriente de 3 terminales con conexión a tierra. El tomacorriente debe cumplir con todos los códigos y ordenanzas locales. 

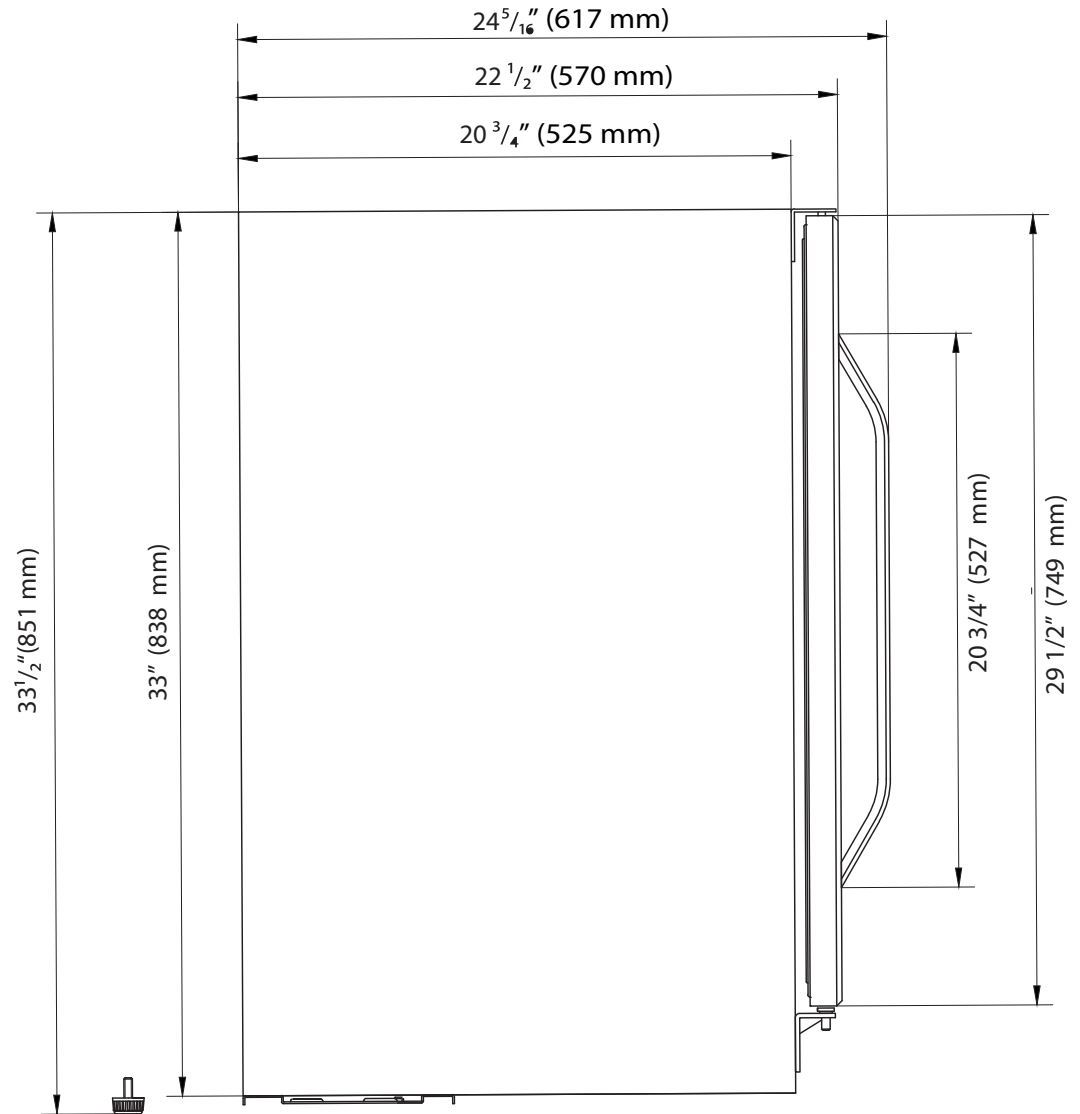
Si va a conectar la lavavajillas con cableado directo:

- Utilice un cable de cobre flexible, blindado o con una funda no metálica con un cable de conexión a tierra que cumpla con los requisitos de cableado para su hogar y con los códigos y ordenanzas locales.
- Utilice un protector de cables con certificación UL/homologación CSA. 

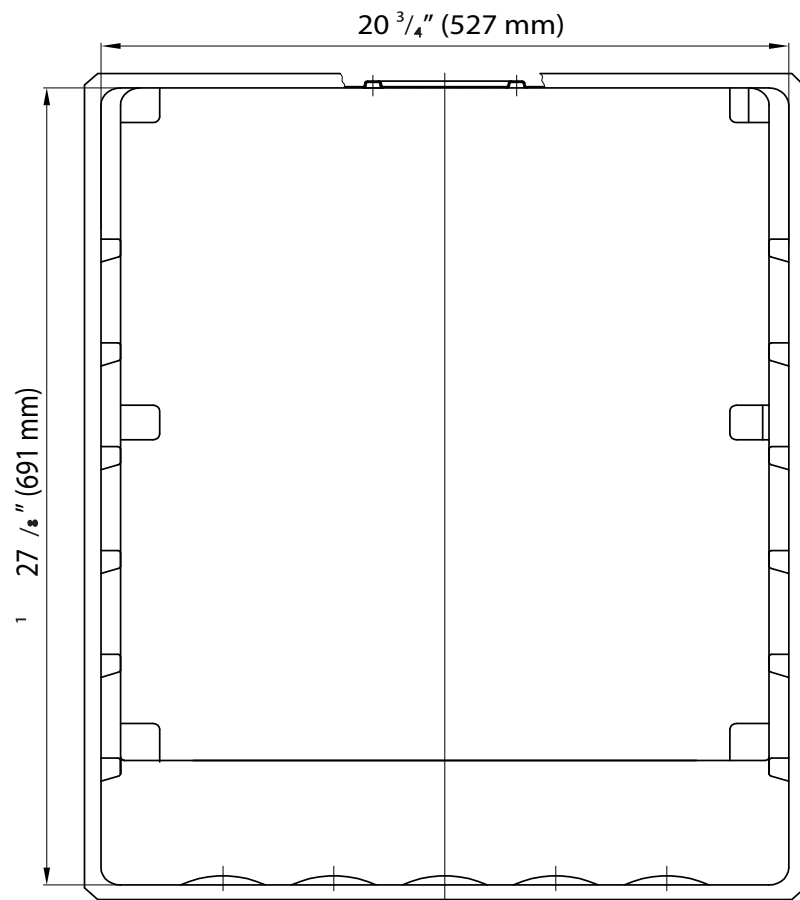
Specification Sheet for Product:
EdgeStar CBR1502SG
Stainless Steel 24 Inch Wide 142 Can Built-In Beverage Cooler
with Tinted Door and LED Lighting



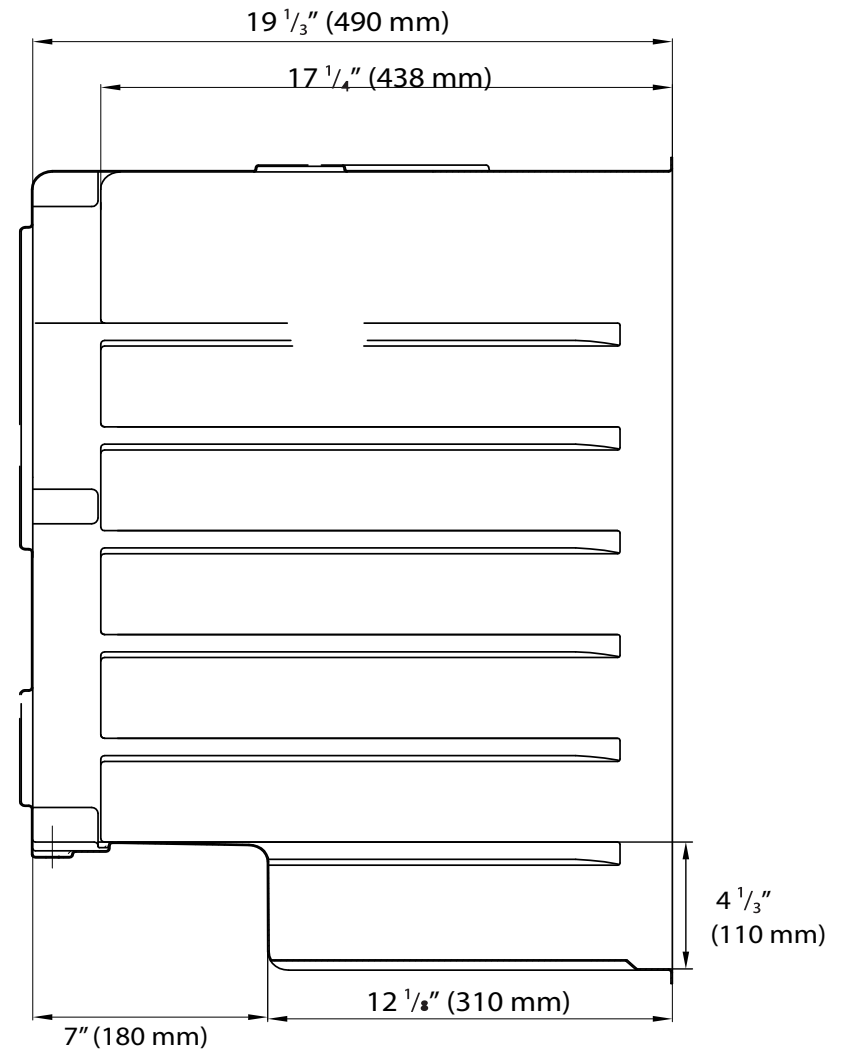
Front View



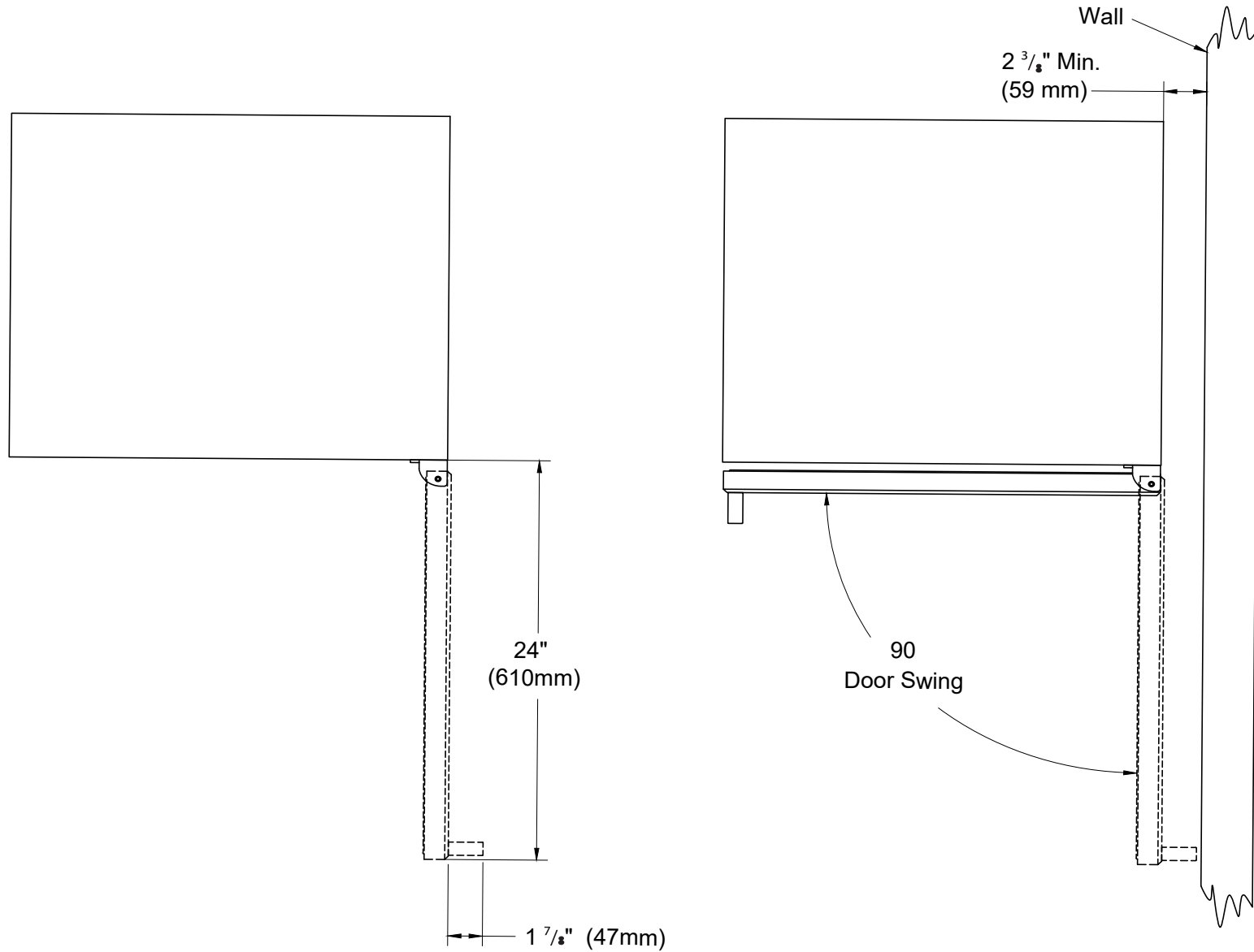
Side View



Front View

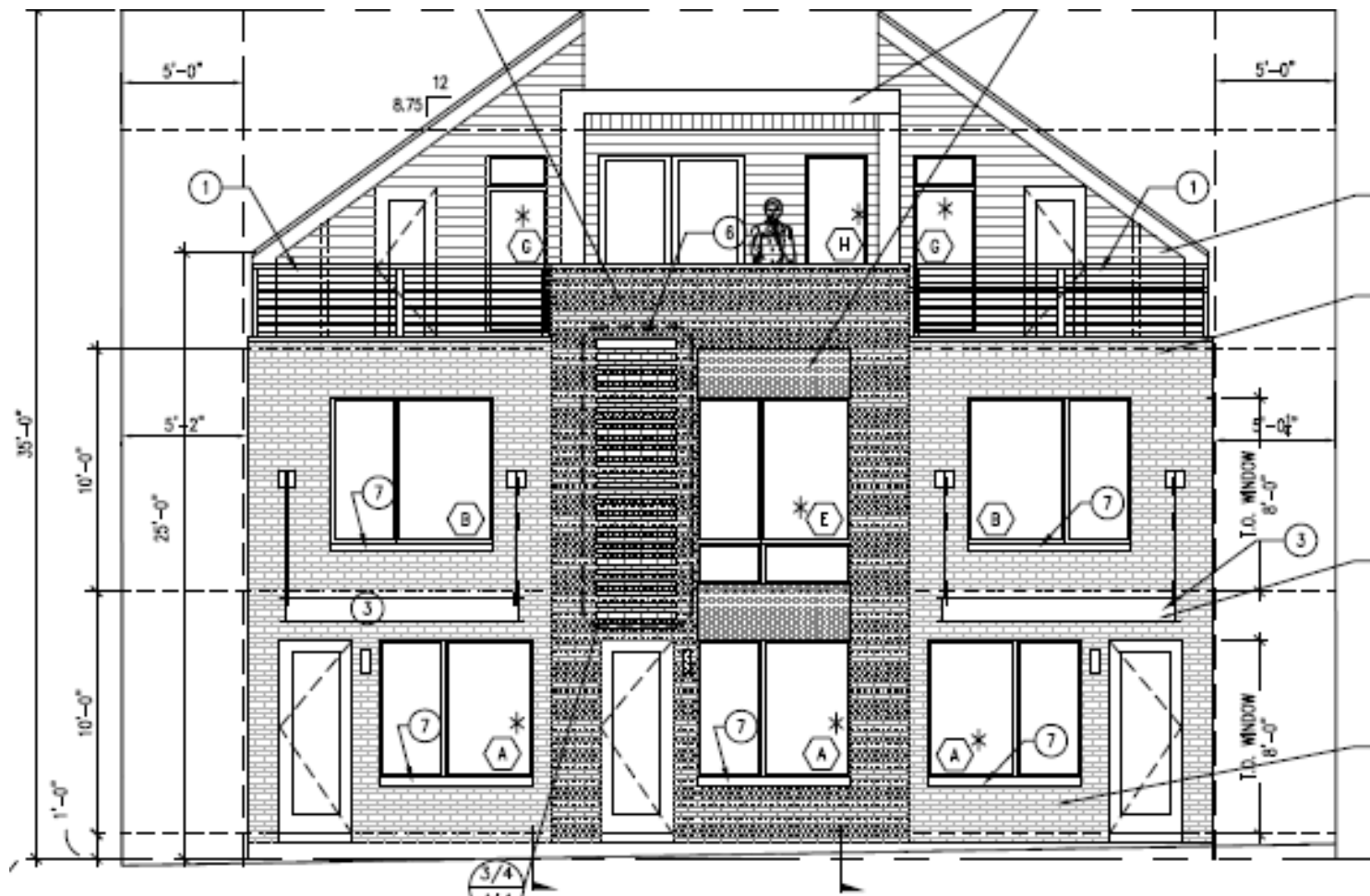


Side View



Bulldog Renovations, LLC

1567 UTICA ST



Bulldog Renovations, LLC

1567 UTICA ST



Hanstone Countertops
Color: Aurora Snow

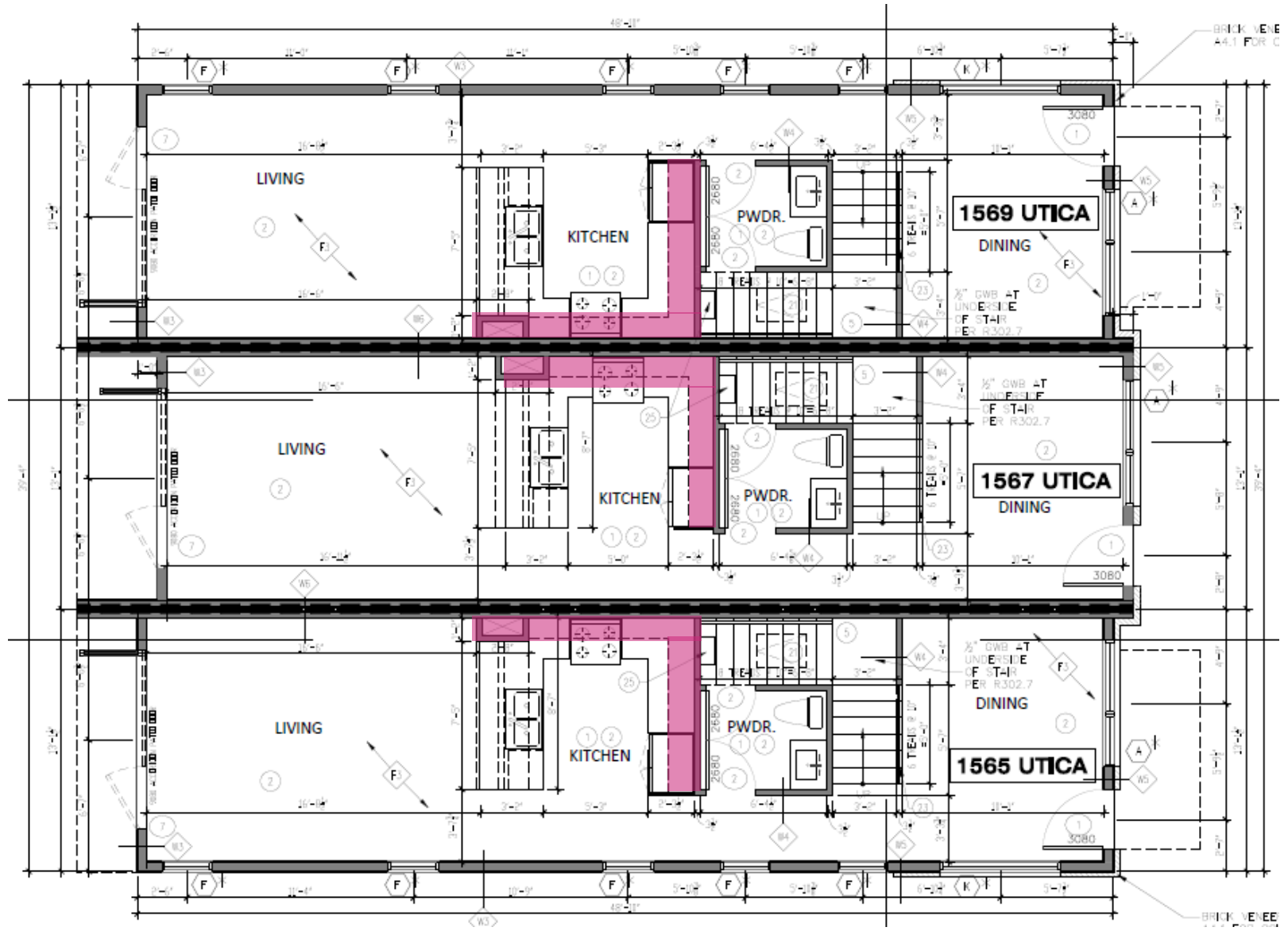


Cabinets: One Source- Slab
Color: Alno

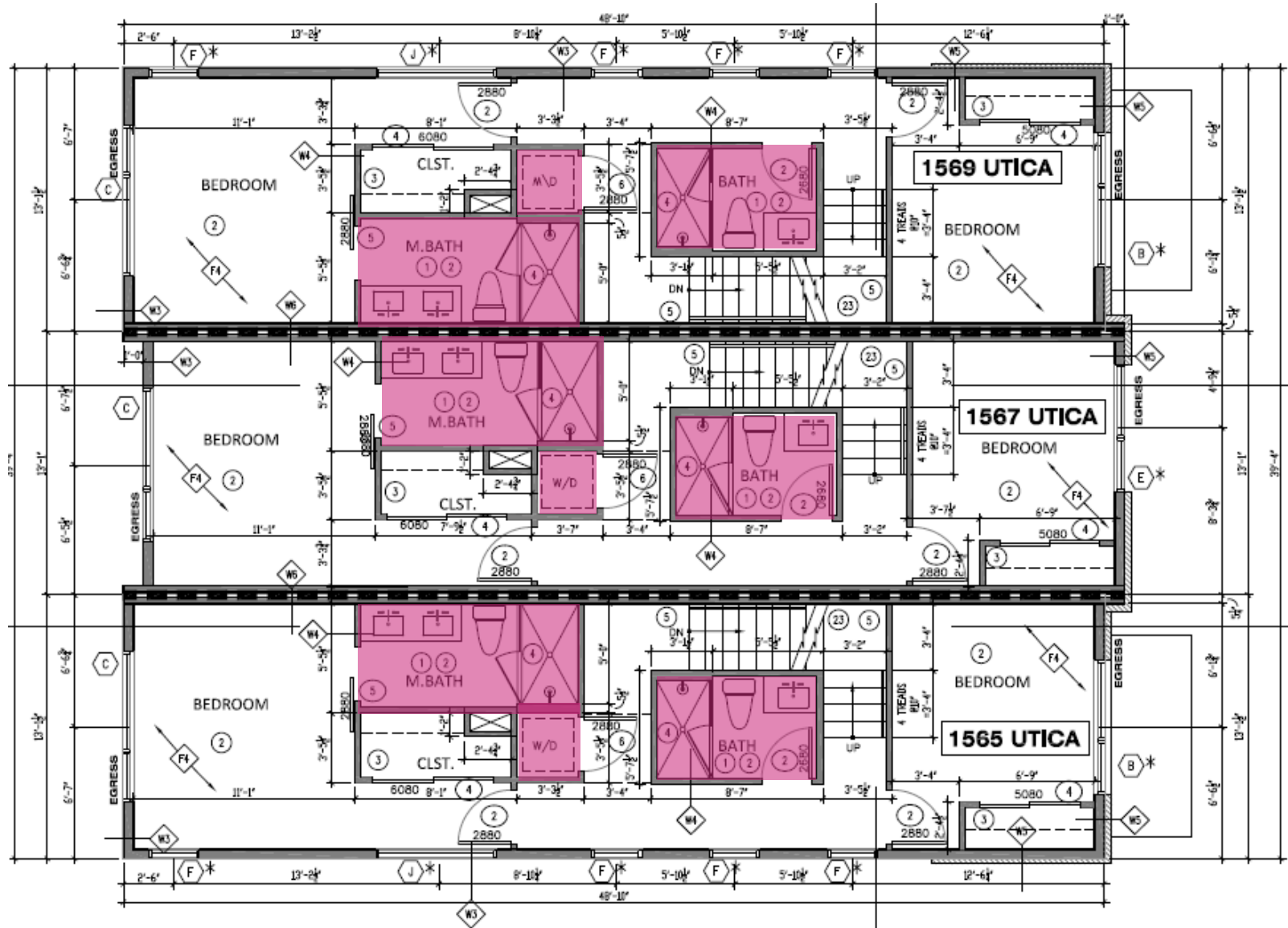


3.25" White Oak Floors
Color: Natural

Tile Areas - Main Floor

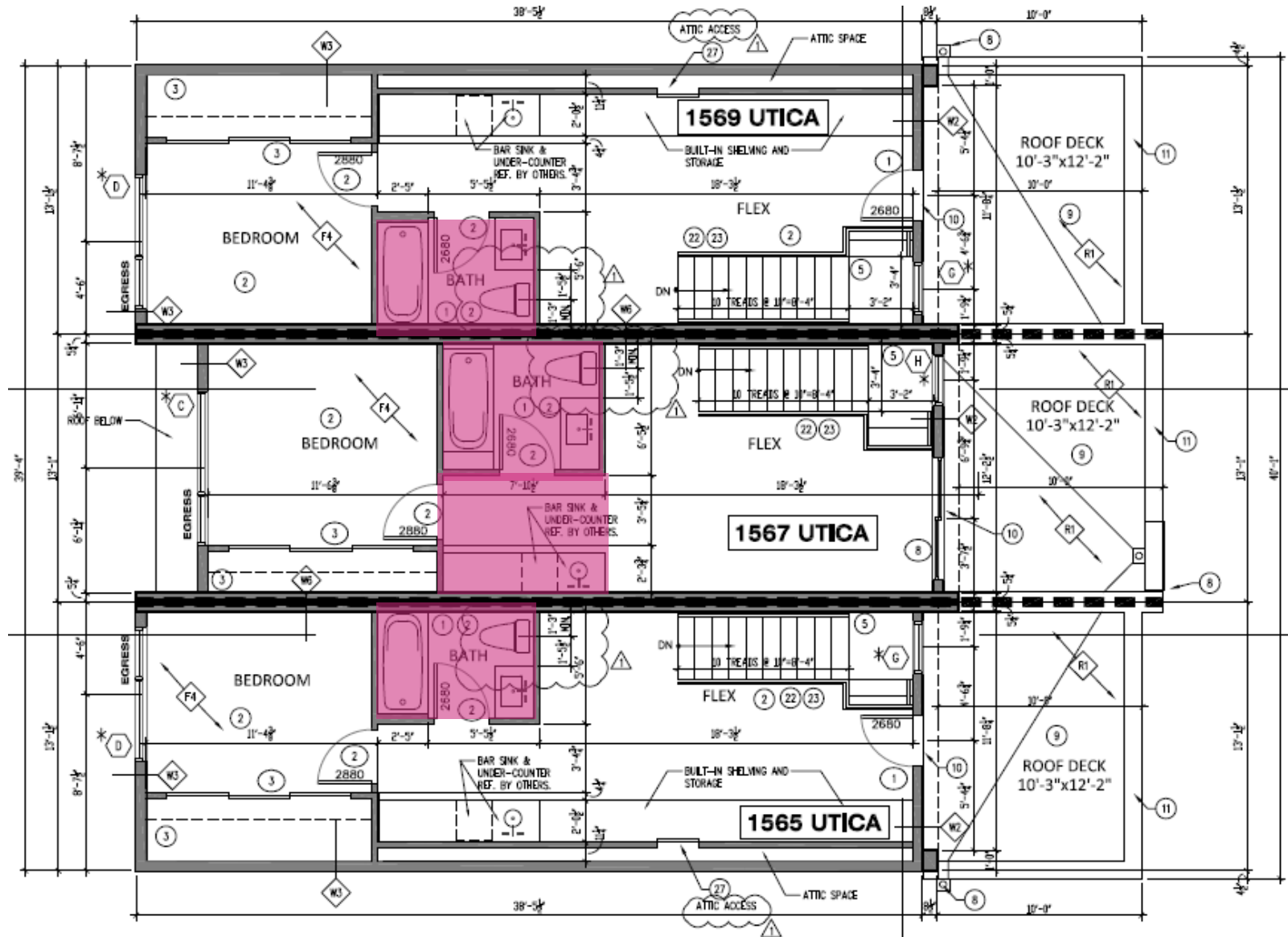


Tile Areas - 2nd Floor



Tile Areas - 3rd Floor

***These bathrooms are now all showers!!**



Main Floor - Kitchen Backsplash

Kitchen Backsplash

Porcelanosa- Touch Pearl 3x12

Custom #

Horizontal Offset



2nd Floor - Master Bath

Floor

Porcelanosa- Morse Coal 12x24

Custom #

Straight Set

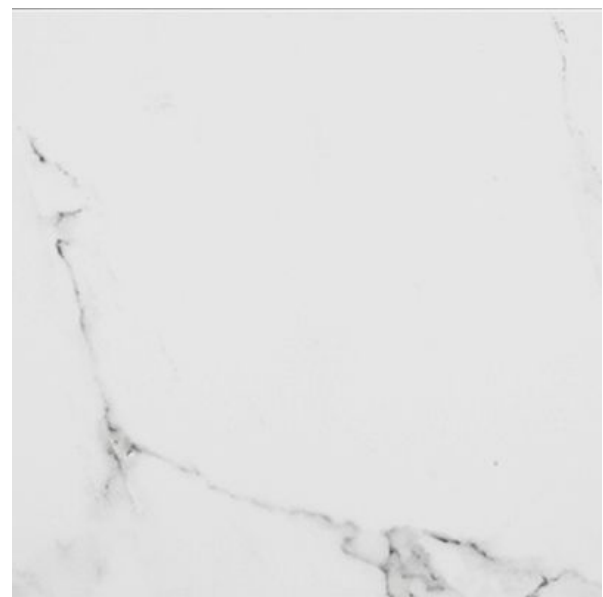


Shower Walls

Porcelanosa- Marmo Carrara Blanco 12x24

Custom #

Horizontal Straight Set

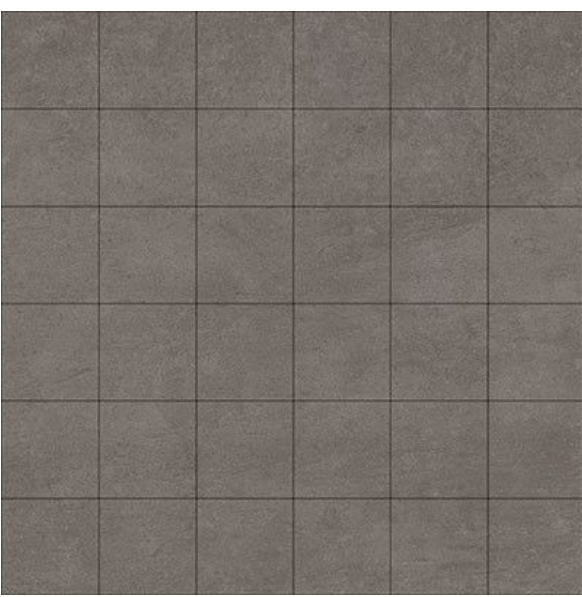


Shower Pan

Porcelanosa- Morse Coal 2x2 Square Mosaic (12x12 Piece)

Custom #

Straight Set



2nd Floor - Bath #2

Floor

Porcelanosa- Irish Blanco 12x24

Custom #

Straight Set

Shower Middle Wall

Porcelanosa- Ona Natural 12x24

Custom #

Horizontal Straight Set

Shower Side Walls

Porcelanosa- China Blanco 12x24

Custom #

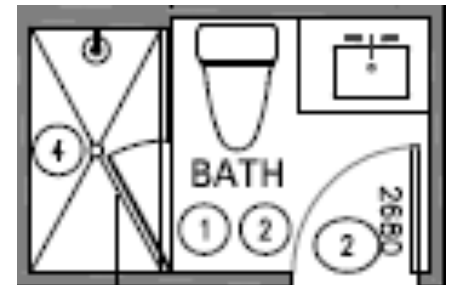
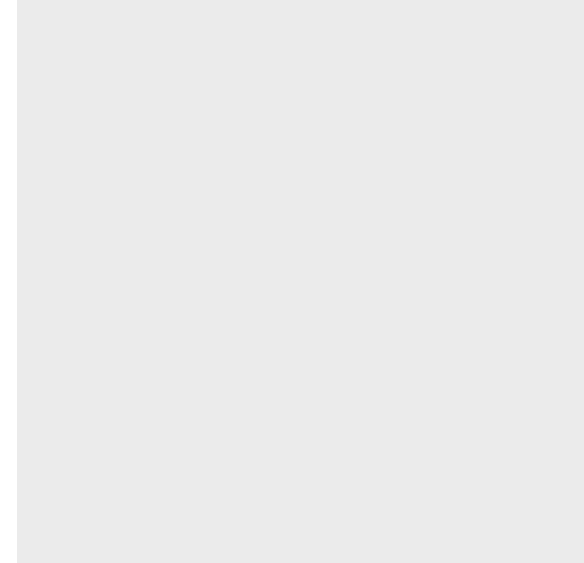
Horizontal Straight Set

Shower Pan

Porcelanosa- Morse White 2x2
Square Mosaic (12x12 Piece)

Custom #

Straight Set



3rd Floor - Bath #3

Floor

Porcelanosa- Adda Silver 12x24

Custom #

Straight Set

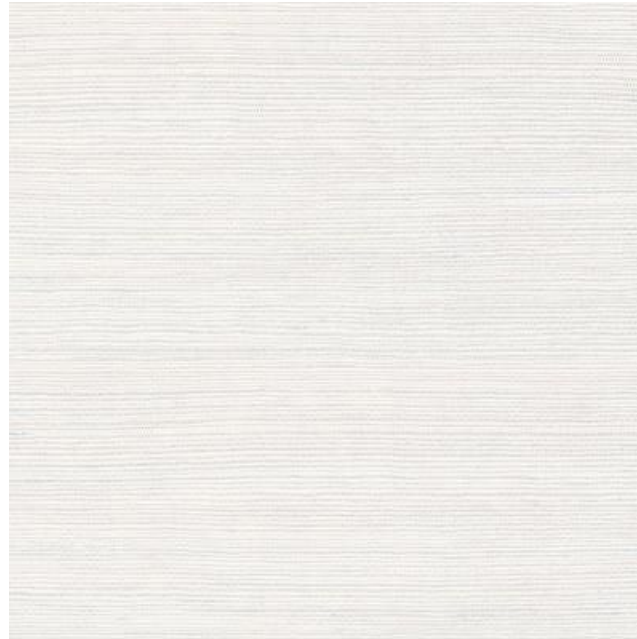


Shower Walls

Porcelanosa- Japon Blanco 12x24

Custom #

Horizontal Straight Set



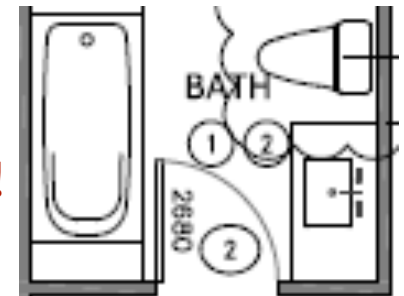
Shower Pan

Porcelanosa- Adda Silver 2x2
Square Mosaic (12x12 Piece)

Custom #

Straight Set

SHOWER NOW!



Miscellaneous

Laundry Floor

Porcelanosa- Adda Silver 12x24

Custom #

Straight Set

Wet Bar Floor

Porcelanosa- Adda Silver 12x24

Custom #

Straight Set

